

# **TAD**

## **TAD GRAND EVOLUTION ONE**

### **TAD-GE1**

**SPEAKER SYSTEM  
ENCEINTE ACOUSTIQUE  
スピーカーシステム**

**OWNER'S MANUAL  
MODE D'EMPLOI**

**取扱説明書**

# BEFORE YOU START

Thank you for buying this TAD product. Please read through these operating instructions so you will know how to operate your model properly. After you have finished reading the instructions, put them away in a safe place for future reference.

- This speaker system has an impedance of 4 ohms, and should be connected only to an amplifier designed with a load impedance of 4 ohms (the amplifier's speaker output connector should clearly be labeled "4 ohms").

In order to prevent damage to the speaker system resulting from input overload, please observe the following precautions:

- Do not supply power to the speaker system in excess of the maximum permissible input.
- Always turn off the amplifier power whenever connecting this unit or other components to the amplifier.
- Be careful not to overload the amplifier by playing at high sound levels, as the amplifier's harmonic distortion will be increased and you may damage the speaker.

## Caution: installation

- Do not place the speaker on an unstable surface. It could present a hazard if it falls, as well as potentially damaging the equipment.
- Do not attach these speakers to the wall or ceiling. They may fall off and cause injury.
- Switch off and unplug your AV equipment and consult the instructions when connecting up components. Make sure you use the correct connecting cables.
- Technical Audio Devices, Inc. is not responsible for any accidents or damage that result from improper installation, misuse or modification of the product, or natural disasters.

## Caution: in use

- Do not allow the speaker to output distorted sound for long periods of times. This is an indication of using excessive power and can result in a fire hazard.
- Do not sit or stand on the speaker, or let children play on the speaker.
- Do not put large or heavy objects on top of the speaker.
- Do not place magnetic objects such as screwdrivers or iron parts near the tweeter or midrange. Since the speakers use strong magnets, the objects may be attracted, causing injury or damaging the diaphragm.

### IMPORTANT NOTICE

THE MODEL NUMBER AND SERIAL NUMBER OF THIS EQUIPMENT ARE ON THE REAR OR BOTTOM. RECORD THESE NUMBERS IN THE SPACE BELOW FOR FUTURE REFERENCE.

MODEL NO. \_\_\_\_\_  
SERIAL NO. \_\_\_\_\_

D36-AP9-2\_A1\_En

## For European model



If you want to dispose this product, do not mix it with general household waste. There is a separate collection system for used electronic products in accordance with legislation that requires proper treatment, recovery and recycling.

Private households in the member states of the EU, in Switzerland and Norway may return their used electronic products free of charge to designated collection facilities or to a retailer (if you purchase a similar new one).

For countries not mentioned above, please contact your local authorities for the correct method of disposal.

By doing so you will ensure that your disposed product undergoes the necessary treatment, recovery and recycling and thus prevent potential negative effects on the environment and human health.

K058b\_A1\_En

- BEFORE YOU START ..... 2**
- Parts Included.....3
- INTRODUCTION ..... 4**
- TAD Grand Evolution One Features .....4
- INSTALLATION AND CARE ..... 5**
- Installation.....5
- Choosing Where To Place The Speakers.....7
- Speaker care .....7
- CONNECTING THE SPEAKERS ..... 8**
- Input terminal specifications.....8
- Single-Wire Connections .....8

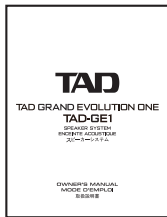
- Bi-Wire Connections .....9
- Bi-Amplification Connections .....10
  - Vertical Bi-Amping .....10
  - Horizontal Bi-Amping .....11
- OPTIMIZING THE SYSTEM..... 12**
- Improving Bass Performance.....12
- Improving Imaging .....12
- Final Optimization .....12
- SPECIFICATIONS ..... 13**

## Parts Included

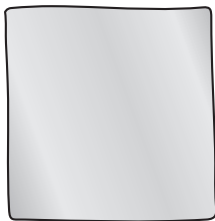
Check that the following items are included:

Accessory folder

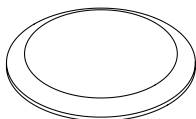
- This Owner's Manual x 1



- Cleaning cloth x 1



- Woofer grille x 2

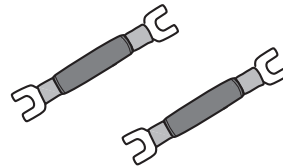


- Warranty card (This warranty is valid only in Japan.)

### **WARNING**

**Store small parts out of the reach of children and infants.  
If accidentally swallowed, contact a doctor immediately.**

- Shorting links x 2



- Spike receptacle x 3



- Spike x 3



- Auxiliary feet x 2



### **Note**

Included parts may vary slightly by region.

# INTRODUCTION

## Inspiring the joy of listening

Technical Audio Devices Laboratories, Inc. (TADL) grew from the spirit to discover technologies to perfectly recreate the pure sound of life performances with uncompromising craftsmanship. We have inherited our philosophy from Bart Locanthi –recognized across the globe as the ultimate sound technologist—who believed that genuine technology is true to the basic and that genuine technology places greater importance on sound quality than on technology for its own sake. At TADL, we are honing our technology to create equipment that reproduces musical sounds that evoke both the energy and impact of life music.

## TAD Grand Evolution One Features

**TAD-GE1 is the speaker system by using the accumulated acoustic technology in TAD's past history and advanced audio technology in order to realize the emotional sound.**

### 1. Coaxial speaker unit with "CST<sup>\*1</sup> driver"

The unit is equipped with a coaxial speaker unit "CST driver" that reproduces controlled directivity over a wide bandwidth from a phase-matched point, reproducing stable localization and a natural sound field space. The cone shape of the midrange is designed to control the directivity of the coaxially placed tweeter, and by matching the phase and directivity characteristics of the tweeter and midrange crossover, a natural attenuation characteristic and directional radiation pattern are achieved over the entire bandwidth, making the CST driver alone capable of ultra-wideband reproduction from 250 Hz to 100 kHz. The CST driver is mounted in a low-diffraction shaped enclosure to maximize its performance. Furthermore, ISO (Isolation) drive technology reduces vibration transmission from the CST driver to the enclosure, enabling the reproduction of a clear, uncluttered airy sound.

### 2. Beryllium tweeter and magnesium midrange diaphragms

The tweeter features a light-weight, highly rigid beryllium diaphragm. Utilizing our proprietary vapor-deposition process. The combination of stiffness, low mass, and high internal damping ensures that the diaphragm resonances are well controlled and placed well above the range of audibility. Magnesium is utilized for the midrange diaphragm. It's combination of stiffness, low mass and durability ensure that the midrange is similarly reproduced with freedom from resonance and distortion.

### 3. Adoption of MACS II<sup>\*2</sup> diaphragm in the woofer

The woofer adopts a MACS diaphragm laminated with multiple layers of lightweight and highly rigid aramid fiber and the center cap and cone are integrated into a shell shape to achieve a rich bass sound reproduction and clear mid-low frequency reproduction.

### 4. "SILENT<sup>\*3</sup> Enclosure" for low resonance

The cabinet uses a SILENT enclosure that achieves high strength and low resonance by combining high-rigidity birch plywood for the framework and MDF materials for high internal loss. In addition, AFAST<sup>\*4</sup> is employed to analyze standing waves inside the enclosure and reduce low-order modes. Internal standing waves, which have a negative impact on the sound image and sound field, are suppressed by selecting and effectively arranging the optimal sound-absorbing materials.

### 5. "Bidirectional ADP<sup>\*5</sup> System"

A port for bass-reflex operation is located at the bottom of the enclosure. Horn-shaped openings in the front and rear, consisting of a 15mm-thick base plate, the bottom of the enclosure, and a horn plate made of die-cast aluminum, provide natural and rich bass sound reproduction.

<sup>\*1</sup> CST: Coherent Source Transducer

<sup>\*2</sup> MACS II: Multi-layered Aramid Composite Shell (2nd generation)

<sup>\*3</sup> SILENT: Structurally Inert Laminated Enclosure Technology

<sup>\*4</sup> AFAST : Acoustic Filter Assisted System Tuning

<sup>\*5</sup> Bidirectional ADP: Bidirectional Aero-Dynamic Port

## Precautions regarding the installation location

Avoid environments with high humidity, excessive dryness, rapid temperature changes, and strong ultraviolet rays.

Such conditions may result in shrinkage of the wood materials and finish, leading to deformation of the enclosure, discoloration, or damage to the speakers.

Avoid installing this unit in the following locations:

- Places exposed to direct sunlight
- Places near heating devices
- Places directly under an air conditioner or where the unit is exposed directly to blowing air
- Places with poor ventilation and a lot of humidity and dust

Conditions considered unpleasant by humans are detrimental to speakers as well. Providing a comfortable environment for the speakers will assist them in demonstrating their best performance. Please maintain the usage environment as follows:

Temperature: 15 °C to 25 °C (59 °F to 77 °F)

Relative Humidity: 35 % to 65 % (winter)

40 % to 70 % (summer)

## Precautions during installation

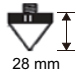


- The total weight of this speaker system is 64kg (141.1 lb). Before installing, confirm that the installation location is fully capable of supporting this weight
- As the weight of this speaker system is 64kg (141.1 lb), 2 or more persons should install the spike when installing it by tilting. At the time of installing, take care not to pinch fingers between the speaker system and see that speaker system does not fall.
- Avoid touching the front surface of speaker units, since you may deform or damage the enclosure mesh or speaker diaphragms.
- Moreover, when spike is used, a load of 21kg(46.3 lb) or more is applied per spike and hence traces or dents may remain at a place where the speaker system has been installed. To avoid scratches, use supplied spike receptacle or arrange strong enough standby spike receptacle with large installation area per spike.
- Using a spike in the speaker system may cause scratches on the floor while moving it, so remove the spike and auxiliary feet before moving the speaker system.

## Installation

### Installation on floor or rack

An aluminum plate is fixed at the bottom of the cabinet of speaker system. When the floor is flat, it can be installed as it is. Moreover, spike, spike receptacle and auxiliary feet are attached to the speaker system and hence the most suitable installation method according to the status of installation surface can be selected.

Decide the installation method by referring to the following matter.

Spike	Installation place	How to use
	A carpeted floor with no scratches or the place where scratches are allowed	Use by pushing a spike into the carpet. 
	Flat place	To avoid scratches on the installation surface, use the supplied spike receptacle. 
Do not use spike	Flat place	Arrange a non-slippery sheet and lay it on the floor.

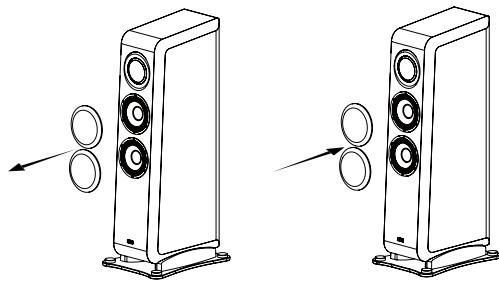
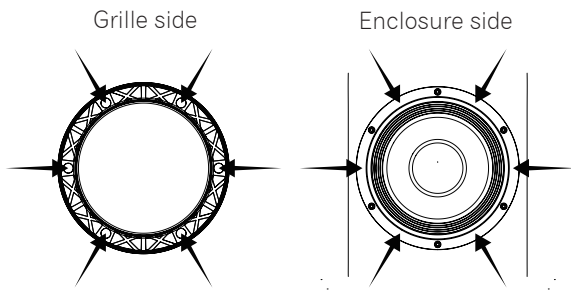
## Installing and removing the woofer grille

A magnetically-attached woofer grille is included in the package. Magnets are embedded at six locations as shown in the figure below.

How to install: Install the woofer grille so that the magnets are positioned as shown in the figure below.

How to remove: Pull the grille toward you to remove it as shown in the figure below.

Please remove the woofer grille when using or cleaning this speaker system. Also, if you apply horizontal force while it is attached, the grille may fall.



## Installation of Spikes



**Caution**

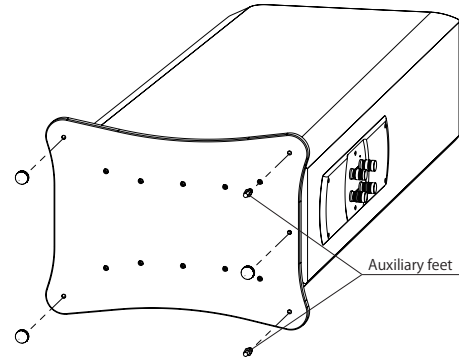
**Please be sure to screw all the way in when installing spikes.**

The installation surface can be securely established by using spikes.

Spikes are screwed into three aluminum base screw holes at the bottom of the cabinet.

Installation can be performed with no rattling of the installation surface and requiring no fine adjustment of spike heights, by providing support at three locations.

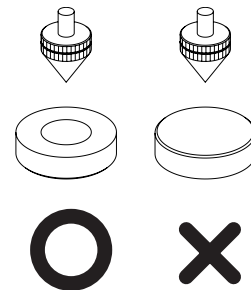
Once the installation location is decided by referencing the section about Choosing Where To Place The Speakers on page 7, install the spikes and the auxiliary feet.



1. Screw in spikes at three locations on the bottom surface of the aluminum base (two in front and one in back).
2. Install the auxiliary feet at the two rear locations, adjust the length of the spikes so that they do not rattle, and tighten them with nuts.
3. Place spike receivers at locations where spikes will be positioned, then place the speaker on top of the spike receivers.

## ⚠ CAUTION

- Place the speaker on top of something that would not scratch it, such as a soft cloth, to perform installation of the spikes.
- Place spike receivers with the center indentation facing up, as shown in the diagram below.



- Using spikes without using spike receivers can potentially leave scratches on the surface where the speaker is installed, such as the surface of the floor.

## Choosing Where To Place The Speakers

Speaker placement within the listening room will have a great impact upon the total performance of the unit in terms of bass performance, tonal accuracy, and imaging. All rooms are different and so this section is intended as a guide only. Experimentation in your room will yield optimum results.

Begin by placing the rear of the speakers approximately one to two feet in from the front walls and the sides one to two feet in from the side walls of your listening room, as shown in Figure 1. Your listening position should be roughly equal to the distance between the two speakers. Also, turn the speakers inward so each axis points toward the listening position.

Next, connect the audio system as described in CONNECTING THE SPEAKERS on page 8. Then, optimize the speaker placement as described in OPTIMIZING THE SYSTEM on page 12.

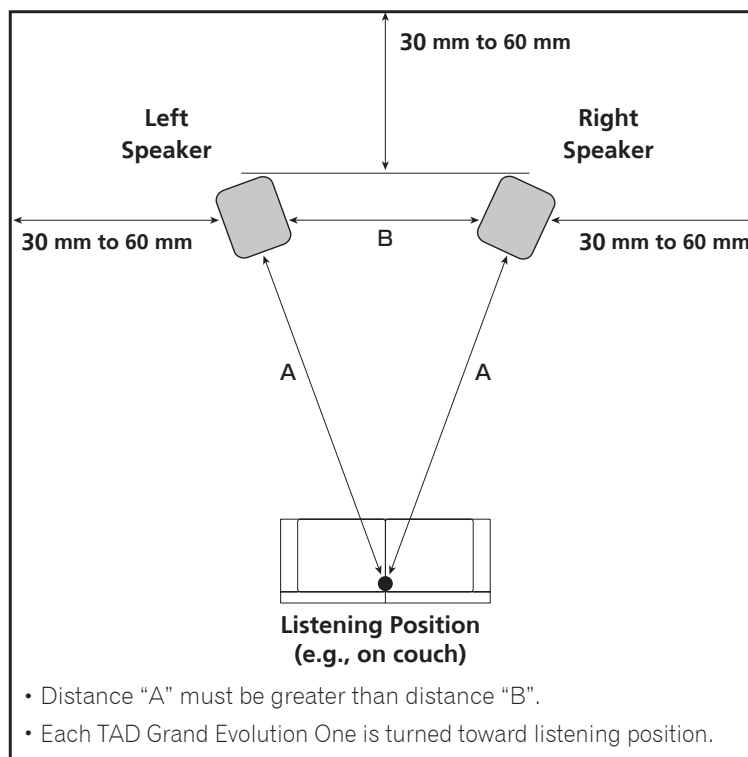


Figure 1. Placement of a pair of speakers for stereo music listening

## Speaker care

The TAD Grand Evolution One speaker system has a meticulous mirror finish. If the enclosure collects dust or fingerprints, wipe them off with the cleaning cloth provided.

### CAUTION

- When dusting the cabinet, do not use cleansers, abrasives or chemically impregnated cloths.
- Contact with alcohol, benzene, insecticides or other chemicals may cause peeling or discoloration of the finished surface.

# CONNECTING THE SPEAKERS

## CAUTION

- When connecting speakers or other components, always turn off the power to the amplifier, and disconnect the power cord.
- Speaker cables are not furnished with this speaker system, and must be purchased separately.
- After connecting the speakers, gently pull on the speaker cables to confirm that each cable wire is connected securely to its respective terminal. Loose connections may result in interrupted sound or noise.
- Do not allow wires from one connector or cable to touch those from another, since excessive load may be applied to the amplifier, causing the amplifier to stop operating or be damaged.
- If the polarity (+/-) of either right or left speaker is mistakenly reversed when connected to the amplifier, the speakers will be unable to produce proper stereo phase effect.

## Input terminal specifications

This speaker system is provided with LF (Low-Frequency) input terminals for the woofer, and HF (High-Frequency) input terminals for CST (Coherent Source Transducer) connections.

## Single-Wire Connections

When adopting single-wire connections, use the furnished accessory shorting links to connect the LF input terminals (for woofer) to the HF input terminals (for CST).

Use the shorting links to connect the upper/lower HF input terminals to the upper/lower LF input terminals as shown in Figure 2, then connect the positive (+) speaker wire from the amplifier to either of the speaker's red connector terminals, and the negative (-) speaker wire from the amplifier to either of the speaker's black connector terminals..

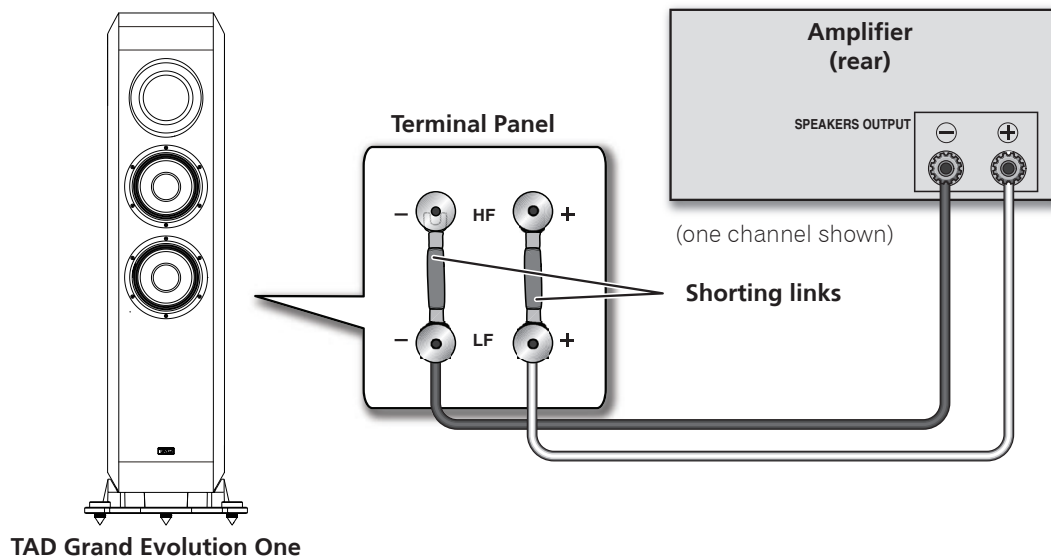


Figure 2. Connecting a TAD Grand Evolution One speaker in a single-wired system



## Bi-Wire Connections

When adopting bi-wire connections, the speaker cables from the amplifier are connected individually to the LF input terminals (for woofer) and the HF input terminals (for CST).

Connect one set of speaker cables to the LF input terminals (for woofer). Then, connect the other set of speaker cables to the HF input terminals (for CST). Finally, connect the respective speaker cables in pairs to the amplifier's speaker terminals.

Take care to connect both (+) wires to the (+) amplifier terminals and both (-) wires to the (-) amplifier terminals, as shown in Figure 3.

### CAUTION

- Remove the shorting links before connecting speaker cables in bi-wiring connections.

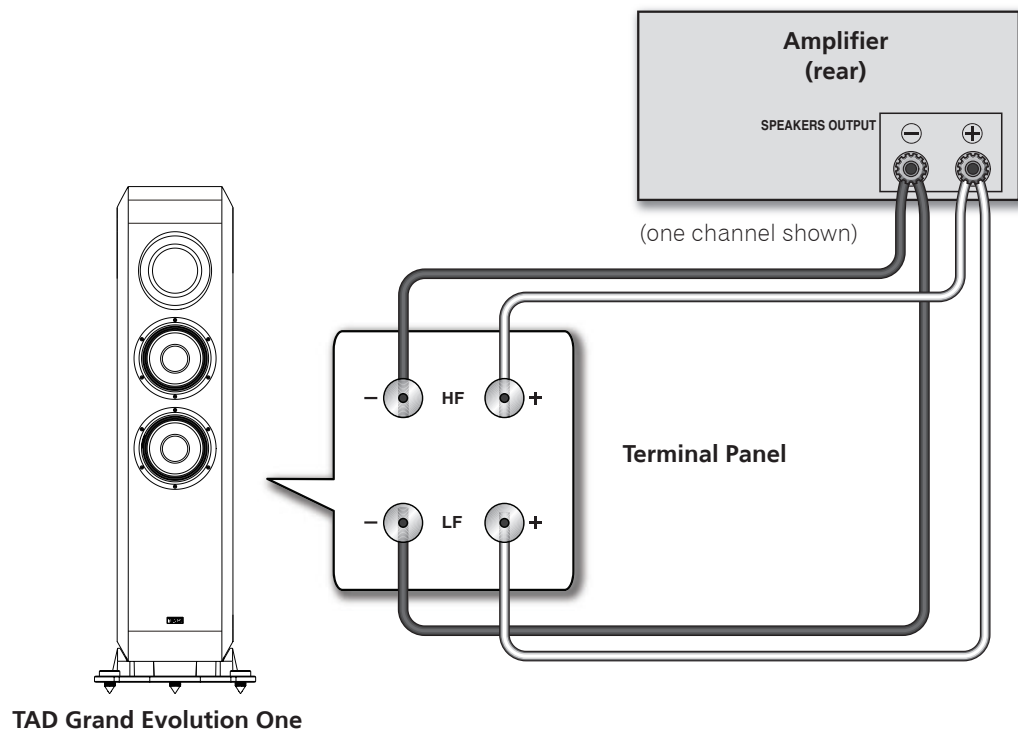


Figure 3. Connecting a TAD Grand Evolution One speaker in a bi-wired system

## Bi-Amplification Connections

When using a bi-amp configuration, a dedicated amplifier is connected to the LF input terminals (for woofer) and HF input terminals (for CST). Two connection methods are possible, the “vertical bi-amp” method and “horizontal bi-amp” method.

### WARNING

- Remove the shorting links before connecting speaker cables in bi-amplification connections. Failure to do so may result in damage to your amplifiers.

### Vertical Bi-Amping

With this configuration, identical stereo amplifiers are used for each speaker. One channel of each amplifier drives the low frequency section and the other channel drives the high frequency section, as shown in Figure 4. Connect one set of speaker cables between the amplifier’s Channel 2 (or 1) terminals and the speaker’s LF input terminals (for woofer). Then connect another set of speaker cables between the amplifier’s Channel 1 (or 2) terminals and the speaker’s HF input terminals (for CST).

Take care to connect both (+) wires to the (+) amplifier terminals and both (–) wires to the (–) amplifier terminals.

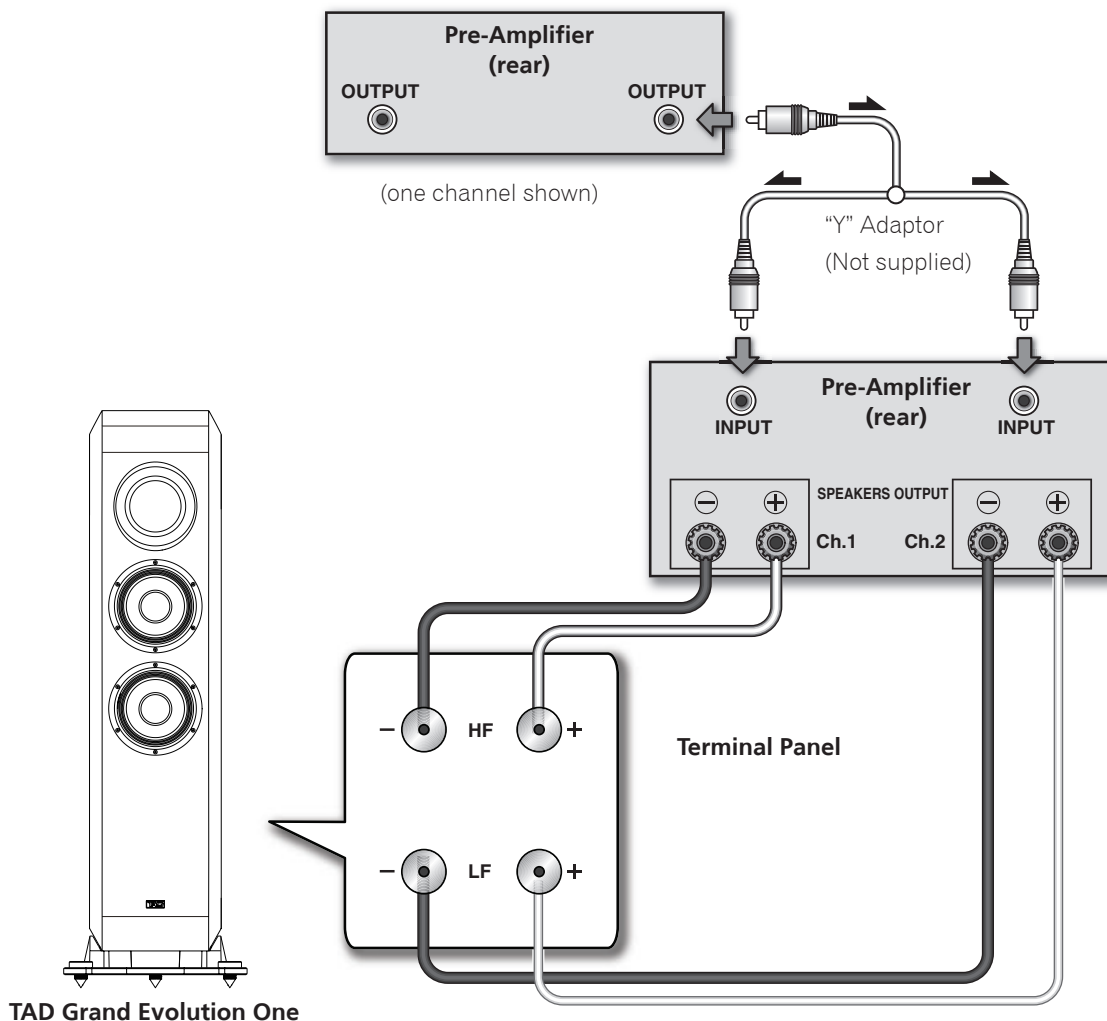


Figure 4. Connecting a TAD Grand Evolution One speaker in a vertical bi-amplified system

## Horizontal Bi-Amping

With this connection method, independent stereo amplifiers are used respectively to drive the speaker's LF circuit (for woofer) and HF circuit (for CST).

As shown in Figure 5, each channel on one of the amplifiers is used to drive the speakers' low-frequency range, while each channel of the other amplifier is used to drive the high-frequency range of the two speakers.

In order to use this method, each of the amplifiers must possess the same gain value. If the two amplifiers have different gain values, an imbalance will occur between the playback levels of the low-frequency and high-frequency ranges. Consult your dealer for further information.

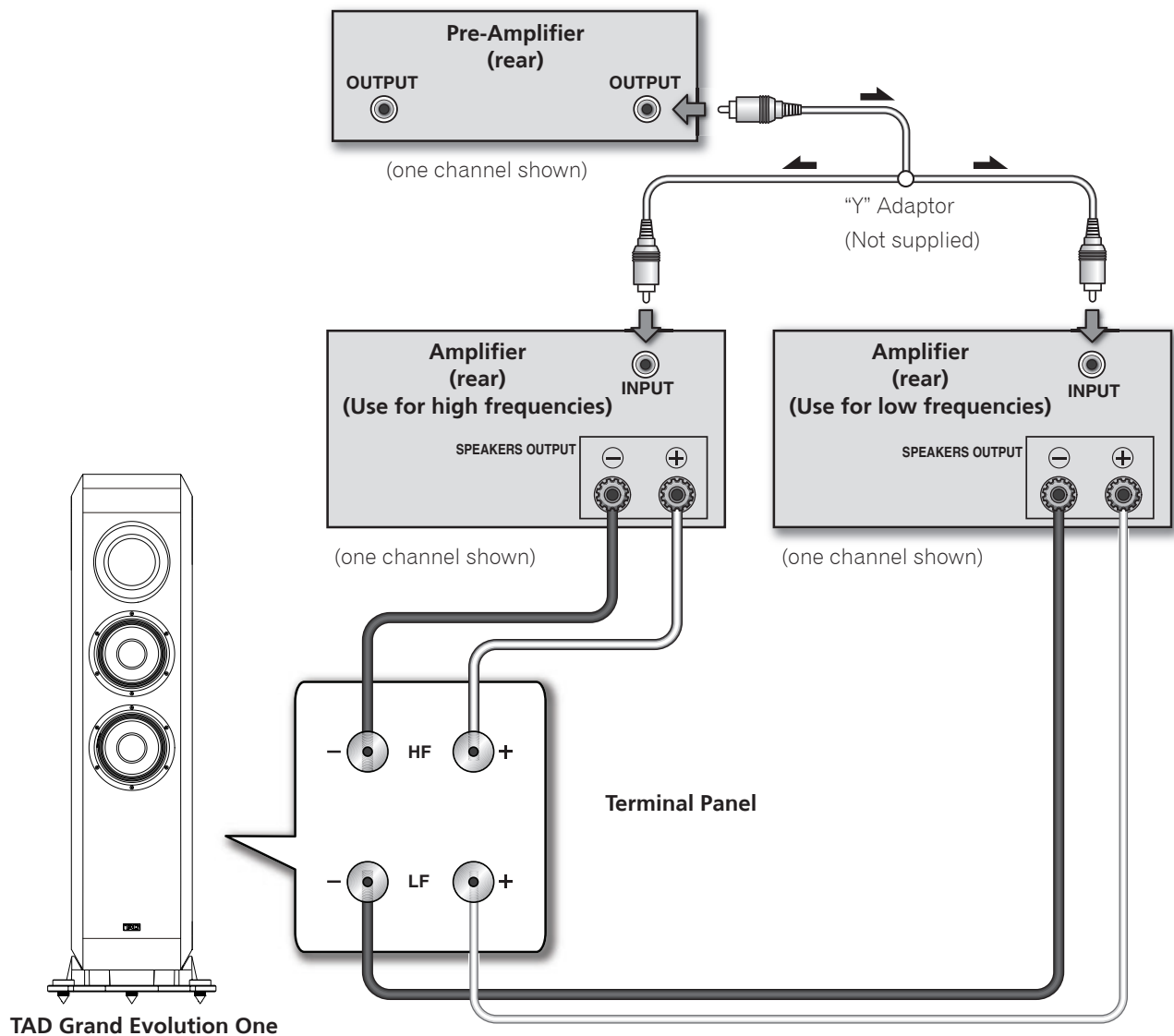


Figure 5. Connecting a TAD Grand Evolution One speaker in a horizontal bi-amplified system

# OPTIMIZING THE SYSTEM

---

## Improving Bass Performance

Select a music track with well-recorded bass, such as acoustic string bass. Listen for all the bass notes having roughly equal level. If any notes jump out at you more strongly than others, try moving the TAD Grand Evolution One speaker system until you get the most even progression of the notes.

Typically, moving them towards the walls will increase low bass output, but can result in more unevenness higher up the musical scale. Moving them closer to the side walls will not produce the same effect as moving closer to the back wall, so try experimenting moving both ways for the most pleasing sound. Also listen to drum sounds. The kick drum should sound tight and fast, without low-frequency boom. Changes in speaker position of as little as a few inches can have a large effect upon bass performance, so take time and try many positions.

A useful tip to speed up the process is to have a partner move around the room while talking. Listen to where the voice sounds most natural, without added chestiness, and position the speaker system in that location.

## Improving Imaging

Now select music with a strong center image. Listen for that image to be exactly centered between the speakers, and to be well-focused. If the image is unclear and spreads wide, the side walls are probably creating strong reflections. Try moving the speakers closer together to reduce this effect. If this brings them too close, try instead toeing in the speakers so that the axis crosses in front of the listening position. Because of the superior off-axis performance of the CST driver, the strength of the sidewall reflections will be reduced, and at the same time, the image will be stabilized and focused.

Now listen to music with well-recorded acoustics. Check that the image is wide and deep. Limited depth suggests that the speakers are placed too close to the front wall. Try moving them forward.

## Final Optimization

You may find that as you move the speakers to optimize one aspect of performance another worsens; for example, trading improved image accuracy for poorer bass response. If this occurs, try moving your listening position. Bass response is governed strongly by both speaker and listening positions, whereas imaging is mostly determined by the speaker position. Therefore, you may find that if optimizing for imaging compromises bass, then changing the listening position will bring back bass performance. The room characteristics will also have a profound influence upon the sound. Live rooms, with few soft furnishings and hard floors, will impart an artificial sense of spaciousness to the sound but reduce the intimacy and accuracy. Overly dead rooms, with lots of furnishing, carpets, and drapes will produce a very dry, lifeless sound and require lots more power to drive the speaker system to adequate sound levels. The optimum is somewhere inbetween. Avoid hard, unbroken, parallel walls, especially side walls, as these impart strong flutter-type echoes and will have a bad influence on the imaging. Try and break up long expanses of walls with drapes, wall hangings, or bookshelves, and try not to introduce too much asymmetry into the room layout, as this will also affect the imaging.

## Model Name

TAD Grand Evolution One

## Model No.

TAD-GE1

## Design

3-way bass reflex floor type

## Drive units

Woofer ..... 18 cm (7 1/16 in.) cone x 2

Midrange/Tweeter

.... concentric 14 cm (5 1/2 in.) cone/ 3.5 cm (1 3/8 in.) semi-dome

## Performance Data

Frequency Range.....27 Hz to 100 kHz

Crossover Frequencies..... 250 Hz, and 1.8 kHz

Maximum input power ..... 250 W

Output Sound Pressure Level

.....88 dB @ 2.83 V and 1 m (anechoic conditions)

Impedance .....4 Ω (Min 3.6 Ω)

## Physical Data

Weight ..... 64 kg (141.1 lb)

### Dimensions

Including spikes:

Height ..... 1240 mm (48 13/16 in.)

Width ..... 394 mm (15 1/2 in.)

Depth ..... 547 mm (21 1/2 in.)

Without spikes:

Height ..... 1212 mm (47 11/16 in.)

Width ..... 394 mm (15 1/2 in.)

Depth ..... 547 mm (21 1/2 in.)

Spikes + Spike holders:

Height ..... 1243 mm (48 15/16 in.)

Width ..... 394 mm (15 1/2 in.)

Depth ..... 547 mm (21 1/2 in.)

## Supplied accessories

- This Owner's Manual x 1
- Cleaning cloth x 1
- Warranty card (This warranty is valid only in Japan.)
- Woofer grille x 2
- Shorting links x 2
- Spike receptacle x 3
- Spike x 3
- Auxiliary feet x 2

## Note

Included parts may vary slightly by region.

The specifications and construction details in this and related TAD publications are subject to change without notice. The TAD logo is a registered trademark of Technical Audio Devices Laboratories, Inc.

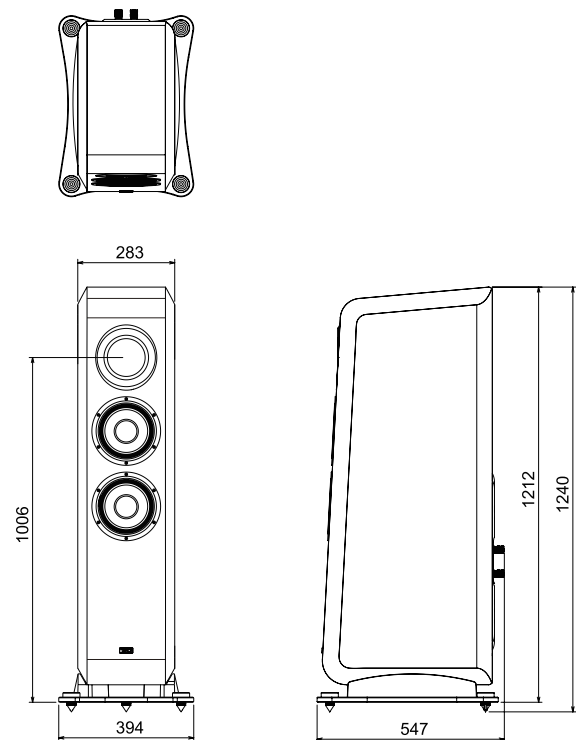


Figure 6. Overall dimensions of the TAD Grand Evolution One speaker system

---

## **The Safety of Your Ears is in Your Hands**

Get the most out of your equipment by playing it at a safe level – a level that lets the sound come through clearly without annoying blaring or distortion and, most importantly, without affecting your sensitive hearing. Sound can be deceiving. Over time, your hearing “comfort level” adapts to higher volumes of sound, so what sounds “normal” can actually be loud and harmful to your hearing. Guard against this by setting your equipment at a safe level BEFORE your hearing adapts.

### **ESTABLISH A SAFE LEVEL:**

- Set your volume control at a low setting.
- Slowly increase the sound until you can hear it comfortably and clearly, without distortion.
- Once you have established a comfortable sound level, set the dial and leave it there.

### **BE SURE TO OBSERVE THE FOLLOWING GUIDELINES:**

- Do not turn up the volume so high that you can't hear what's around you.
- Use caution or temporarily discontinue use in potentially hazardous situations.
- Do not use headphones while operating a motorized vehicle; the use of headphones may create a traffic hazard and is illegal in many areas.

S001a\_A1\_En



# AVANT DE COMMENCER

Nous vous remercions d'avoir acheté ce produit TAD. Veuillez lire attentivement ce mode d'emploi de manière à pouvoir utiliser votre modèle correctement. Après avoir lu ces explications, conservez-les en lieu sûr pour éventuellement les consulter plus tard.

- Cette enceinte acoustique à une impédance de 4 ohms et elle doit être raccordée uniquement à un amplificateur conçu en vue d'une impédance de charge de 4 ohms (le connecteur de sortie haut-parleur sur l'amplificateur doit être clairement étiqueté "4 ohms").

Pour éviter d'endommager les enceintes par une surcharge à l'entrée, observez les précautions suivantes :

- Ne fournissez pas aux enceintes acoustiques une alimentation électrique dépassant l'entrée maximale autorisée.
- Coupez toujours l'alimentation de votre amplificateur avant d'y brancher cet appareil ou d'autres composants.
- Veillez à ne pas surcharger l'amplificateur en utilisant un niveau sonore élevé, car la distorsion harmonique de l'amplificateur augmentera et vous risquez d'endommager l'enceinte.

## Pour le modèle européen



Si vous souhaitez vous débarrasser de cet appareil, ne le mettez pas à la poubelle avec vos ordures ménagères. Il existe un système de collecte séparé pour les appareils électroniques usagés, qui doivent être récupérés, traités et recyclés conformément à la législation.

Les habitants des états membres de l'UE, de Suisse et de Norvège peuvent retourner gratuitement leurs appareils électroniques usagés aux centres de collecte agréés ou à un détaillant (si vous rachetez un appareil similaire neuf).

Dans les pays qui ne sont pas mentionnés ci-dessus, veuillez contacter les autorités locales pour savoir comment vous pouvez vous débarrasser de vos appareils.

Vous garantirez ainsi que les appareils dont vous vous débarrassez sont correctement récupérés, traités et recyclés et préviendrez de cette façon les impacts néfastes possibles sur l'environnement et la santé humaine.

## Précautions : Installation

- Ne placez pas l'enceinte sur une surface instable. En tombant, elle pourrait entraîner des blessures et être endommagée.
- Ne fixez pas ces enceintes sur une paroi ou au plafond. Elles pourraient tomber et provoquer des blessures.
- Mettez votre système audiovisuel hors tension et débranchez-le, puis consultez le mode d'emploi avant de brancher des composants. Prenez soin d'utiliser correctement les cordons de raccordement.
- Technical Audio Devices, Inc. n'assume aucune responsabilité en cas d'accidents ou de dégâts, résultant d'une installation inappropriée, d'une erreur d'utilisation, d'une altération du produit ou de catastrophes naturelles.

## Précautions : Utilisation

- Ne permettez pas que l'enceinte produise des sons distordus pendant une longue période. Ceci serait le signe de l'emploi d'une puissance excessive qui pourrait provoquer un incendie.
- Ne montez pas et ne vous asseyez pas sur les enceintes et ne laissez pas des enfants jouer sur celles-ci.
- Ne posez pas d'objets sur le dessus des enceintes.
- Ne placez pas d'objets magnétiques tels que des tournevis ou des pièces en fer près du tweeter ou du médium. Comme ces haut-parleurs utilisent des aimants puissants, ces objets pourraient y être attirés, provoquant des dégâts aux haut-parleurs ou endommageant leur diaphragme.

K058b\_A1\_Fr



**AVANT DE COMMENCER** ..... 2  
 Pièces fournies ..... 3  
**INTRODUCTION** ..... 4  
 Particularités de la TAD Grand Evolution One ..... 4  
**INSTALLATION ET SOINS** ..... 5  
 Installation ..... 5  
 Choix d'un emplacement pour les enceintes ..... 7  
 Entretien des enceintes ..... 7  
**CONNEXION DES ENCEINTES** ..... 8  
 Spécifications de borne d'entrée ..... 8

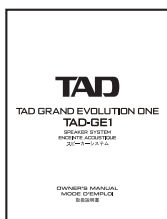
Connexions en mono-câblage ..... 8  
 Connexions en bi-câblage ..... 9  
 Connexions pour bi-amplification ..... 10  
     Bi-amplification verticale ..... 10  
     Bi-amplification horizontale ..... 11  
**OPTIMISATION DU SYSTÈME** ..... 12  
 Amélioration des performances de graves ..... 12  
 Amélioration de l'imagerie ..... 12  
 Optimisation finale ..... 12  
**FICHE TECHNIQUE** ..... 13

## Pièces fournies

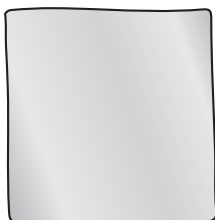
Assurez-vous que les articles suivants sont inclus :

Fichier d'accessoires

- Ce mode d'emploi x 1



- Chiffon de nettoyage x 1

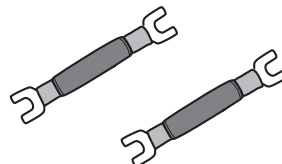


- Grille de woofer x 1



- Carte de garantie  
(Cette garantie est valable uniquement au Japon.)

- Fiches coupe-circuit x 2



- Réceptacle de pointe x 3



- Pointe x 3



- Pieds auxiliaires x 2



### ⚠ AVERTISSEMENT

**Gardez les pièces de petite taille hors de la portée des bébés et des enfants. En cas d'ingestion accidentelle, veuillez contacter immédiatement un médecin.**

### ✎ Remarque

Les pièces fournies varient légèrement selon les régions.

# INTRODUCTION

## Inspirer les joies de l'écoute

Technical Audio Devices Laboratories, Inc. (TADL) est issu du désir de recréer le son pur des représentations en direct par des artisans, refusant tout compromis. Nous avons hérité notre philosophie de Bart Locanthi, reconnu dans le monde entier comme le technicien du son par excellence. Il était convaincu que la technologie véritable consiste à être fidèle aux éléments fondamentaux et que la véritable technologie accorde plus d'importance à la qualité sonore qu'à la technologie proprement dite. Chez TADL, nous peaufinons nos technologies afin de proposer des équipements qui reproduisent les sons, évoquant à la fois l'énergie et l'impact de la musique en direct.

## Particularités de la TAD Grand Evolution One

**La TAD-GE1 est une enceinte réalisée en faisant appel à la technologie acoustique accumulée dans le passé et à la technologie audio la plus moderne afin de restituer des sons débordant d'émotion.**

### 1. Haut-parleur coaxial à "CST<sup>\*1</sup> driver"

L'appareil est équipé d'un haut-parleur coaxial "CST driver" qui reproduit la directivité contrôlée sur une large bande passante d'un point correspondant à la phase, reproduisant une localisation stable et un champ sonore naturel. La forme conique du haut-parleur médial est conçue pour contrôler la directivité du tweeter coaxial placé, et en faisant correspondre les caractéristiques de phase et de directivité du tweeter et du crossover médial, une caractéristique d'atténuation naturelle et un profil de rayonnement directionnel sont atteints sur toute la bande passante, ce qui rend le pilote CST seul capable de reproduire l'ultra-large bande de 250 Hz à 100 kHz. Le pilote CST est monté dans un boîtier en forme de faible diffraction pour maximiser ses performances. De plus, la technologie d'entraînement ISO (Isolation) réduit la transmission des vibrations du pilote CST vers le boîtier, permettant la reproduction d'un son clair et épuré.

### 2. Tweeter en béryllium et diaphragmes médium en magnésium

Le tweeter se caractérise par son diaphragme léger et très rigide en béryllium. Utilisation de notre procédé de dépôt en phase vapeur. L'association de rigidité, de légèreté et d'un fort amortissement interne garantit que les résonances du diaphragme sont bien contrôlées et placées bien au-dessus de la plage d'audibilité. Du magnésium est utilisé pour le diaphragme du médium. La combinaison de rigidité, de légèreté et de durabilité fait en sorte que la plage du médium est restituée en étant exempte de résonance et de distortion.

### 3. Adoption du diaphragme MACS II<sup>\*2</sup> dans le haut-parleur de graves

Le haut-parleur de graves utilise un diaphragme MACS stratifié avec de plusieurs couches de fibre d'aramide légère et très rigide et le couvercle central et le cône sont intégrés dans une forme de coque de manière à obtenir une reproduction sonore riche basse et une reproduction claire à moyenne-basse fréquence.

### 4. "Boîtier SILENT<sup>\*3</sup>" pour faible résonance

L'enceinte utilise un boîtier SILENT qui atteint une résistance élevée et une faible résonance avec la combinaison d'un contreplaqué de bouleau à haute rigidité pour le cadre et des matériaux MDF pour une perte interne élevée. De plus, AFAST<sup>\*4</sup> est utilisé pour analyser les ondes stationnaires à l'intérieur de l'enceinte et réduire les modes d'ordre faible. Les ondes stationnaires internes, qui ont un impact négatif sur l'image sonore et sur le champ sonore, peuvent être supprimées en sélectionnant et en arrangeant efficacement les matériaux d'absorption acoustique optimaux.

### 5. Système Bidirectionnel ADP<sup>\*5</sup>

Un port pour le fonctionnement bass-reflex est situé au bas de l'enceinte. Des ouvertures en forme de corne à l'avant et à l'arrière, composées d'une plaque de base de 15 mm d'épaisseur, le fond de l'enceinte et une plaque de corne en aluminium moulé sous pression, offrent une reproduction sonore naturelle et riche des basses.

<sup>\*1</sup> CST : Coherent Source Transducer

(Transducteur de Source Cohérente)

<sup>\*2</sup> MACS II: Multi-layered Aramid Composite Shell (2nd generation)

(Coque composite multicouche Aramid (2ème génération))

<sup>\*3</sup> SILENT : Structurally Inert Laminated Enclosure Technology

(Technologie de coffret laminé structurellement inerte)

<sup>\*4</sup> AFAST : Acoustic Filter Assisted System Tuning

(Réglage du système assisté par filtre acoustique)

<sup>\*5</sup> Bidirectional ADP: Bidirectional Aero-Dynamic Port

(Port aérodynamique bidirectionnel)

## ⚠ Précautions relatives à l'endroit d'installation

Évitez les environnements à humidité élevée, la sécheresse excessive, les changements de température brusques et les rayons ultraviolets forts. Un tel endroit pourrait provoquer une contraction des parties en bois et de la finition, entraînant une déformation du coffret, sa décoloration ou des dégâts aux haut-parleurs.

Évitez d'installer ce dispositif dans les lieux suivants :

- Les endroits exposés à la lumière directe du soleil
- Près d'appareils de chauffage
- Directement sous un climatiseur où dans un lieu où l'appareil est exposé directement à une soufflerie d'air
- Les lieux mal aérés envahis par l'humidité et la poussière

Des situations considérées comme désagréables pour les êtres humains seront nuisibles également pour les enceintes. Fournir aux enceintes un environnement confortable leur permettra de déployer leurs meilleures performances. Essayez de maintenir l'environnement suivant lors du fonctionnement :

Température : de 15 °C à 25 °C

Humidité relative : de 35 % à 65 % (hiver)  
de 40 % à 70 % (été)

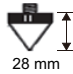



## ⚠ Précautions pendant l'installation

- Le poids total de cette enceinte est de 64 kg. Avant de l'installer, assurez-vous que l'endroit est capable de supporter un tel poids.
- Dans la mesure où ce système d'enceintes pèse 64 kg, 2 personnes ou plus doivent installer la pointe en l'inclinant. Lors de l'installation, faites attention à ne pas vous pincer les doigts avec le système d'enceintes et assurez-vous que le système d'enceintes ne tombe pas.
- Évitez de toucher la face avant des haut-parleurs, car vous pourriez déformer ou endommager leur matériau à mailles ou leur diaphragme.
- De plus, lorsqu'une pointe est utilisée, une charge de 21 kg ou plus est appliquée par pointe, des traces ou des bosses peuvent donc subsister à l'endroit où le système d'enceintes a été installé. Pour éviter les rayures, utilisez le réceptacle de pointe fourni ou prévoyez un réceptacle de pointe de remplacement suffisamment robuste avec une grande zone d'installation par pointe.
- L'utilisation d'une pointe dans le système de haut-parleurs peut provoquer des rayures sur le sol durant le déplacement, retirez donc la pointe et les pieds auxiliaires avant de déplacer le système de haut-parleurs.

## Installation

### Installation sur le plancher ou dans un rack

Une plaque en aluminium est fixée au fond du boîtier du système d'enceintes. Lorsque le sol est plat, il peut être installé tel quel. De plus, la pointe, les réceptacles de pointes et les pieds auxiliaires sont fixés au système de haut-parleurs et, ainsi, la méthode d'installation la plus appropriée suivant l'état de la surface d'installation peut être choisie. Choisissez la méthode d'installation en vous reportant au point suivant.

Pointe	Lieu d'installation	Utilisation
Pointe conique 	Sol revêtu de moquette sans rayures ou lieu où les rayures sont permises	Utilisez-la en enfonçant une pointe dans la moquette. 
	Surface plane	Pour éviter les rayures sur la surface d'installation, utilisez le réceptacle de pointe fourni. 
Ne pas utiliser de pointe	Surface plane	Prévoyez un élément antidérapant et posez-le sur le sol. 

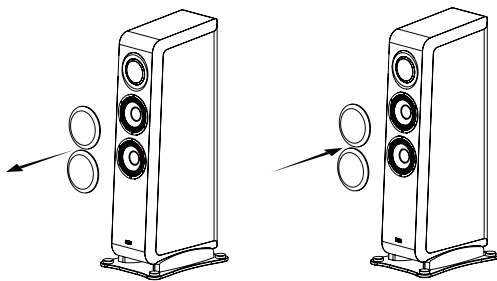
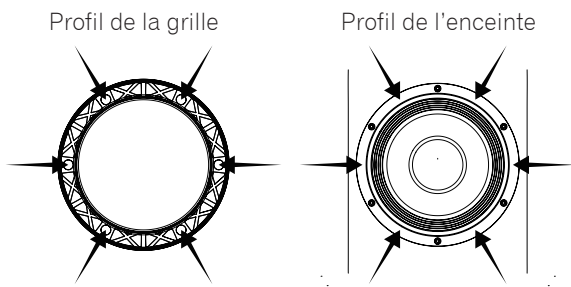
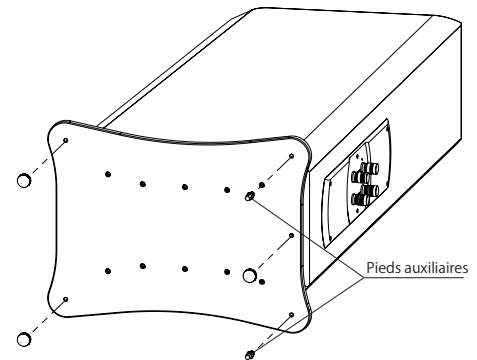
## Installation et retrait de la grille du woofer

Une grille de woofer aimantée est incluse dans l'emballage. Les aimants sont intégrés à six emplacements comme le montre la figure ci-dessous.

Installation : Comme indiqué sur la figure ci-dessous, installez de façon à ce que la position de l'incorporation de l'aimant sur le dos de la grille soit orientée verticalement et horizontalement.

Retrait : Tirez la grille vers vous pour la retirer comme indiqué sur la figure ci-dessous.

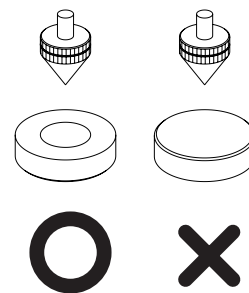
Veillez retirer la grille du woofer lors de l'utilisation ou du nettoyage du système de haut-parleur. La grille peut tomber si vous exercez une force horizontale dessus lorsqu'elle est attachée.



1. Vissez les pointes à trois endroits de la surface inférieure de la base en aluminium (deux à l'avant et un à l'arrière).
2. Installez les pieds auxiliaires sur deux emplacements arrière, ajustez la longueur des pointes de sorte qu'ils ne cliquètent pas et serrez-les avec des écrous.
3. Placez les réceptacles des pointes aux endroits où les pointes seront positionnées, puis placez l'enceinte sur les réceptacles des pointes.

## ⚠ ATTENTION

- Placez l'enceinte sur un élément qui ne risque pas de le rayer, comme un chiffon doux, pour effectuer l'installation des pointes.
- Placez les réceptacles des pointes avec l'encoche centrale orientée vers le haut, comme indiqué dans le schéma ci-dessous.



- Utiliser les pointes sans utiliser les réceptacles des pointes peut laisser des rayures sur la surface où l'enceinte est installée, comme la surface du sol.

## Installation des pointes

### ⚠ ATTENTION

#### Vissez à fond lors de l'installation de pointes.

La surface d'installation peut être établie de façon sûre avec les pointes.

Les pointes sont vissées dans trois trous de vis de base en aluminium au bas de l'enceinte.

L'installation peut être effectuée sans secousse de la surface d'installation et sans nécessiter d'ajustement fin de la hauteur des pointes, en prévoyant un support aux trois locations.

Une fois que vous avez décidé de l'emplacement d'installation en vous référant à la section Choisir où placer les haut-parleurs en page 7, installez les pointes et les pieds auxiliaires.

## Choix d'un emplacement pour les enceintes

L'emplacement des enceintes dans votre salle d'écoute aura une grande répercussion sur les qualités d'ensemble des enceintes l'unité en terme de performances des graves, d'imagerie sonore et de précision tonale. Tous les locaux sont différents et cette section ne peut donc prétendre qu'à servir de guide. C'est en procédant à diverses expérimentations que vous obtiendrez les meilleurs résultats.

Placez d'abord l'arrière des enceintes à environ 1 ou 2 pieds des parois avant et leur côté à 1 ou 2 pieds des parois latérales de votre local d'écoute, comme illustré sur la Figure 1. Votre position d'écoute doit être à une distance presque égale à celle qui sépare les deux enceintes. De plus, orientez les enceintes vers l'intérieur de sorte que leur axe soit dirigé vers la position d'écoute.

Ensuite, raccordez la chaîne audio comme expliqué sous CONNEXION DES ENCEINTES à la page 8. Puis, optimisez l'emplacement des enceintes comme décrit sous OPTIMISATION DU SYSTÈME à la page 12.

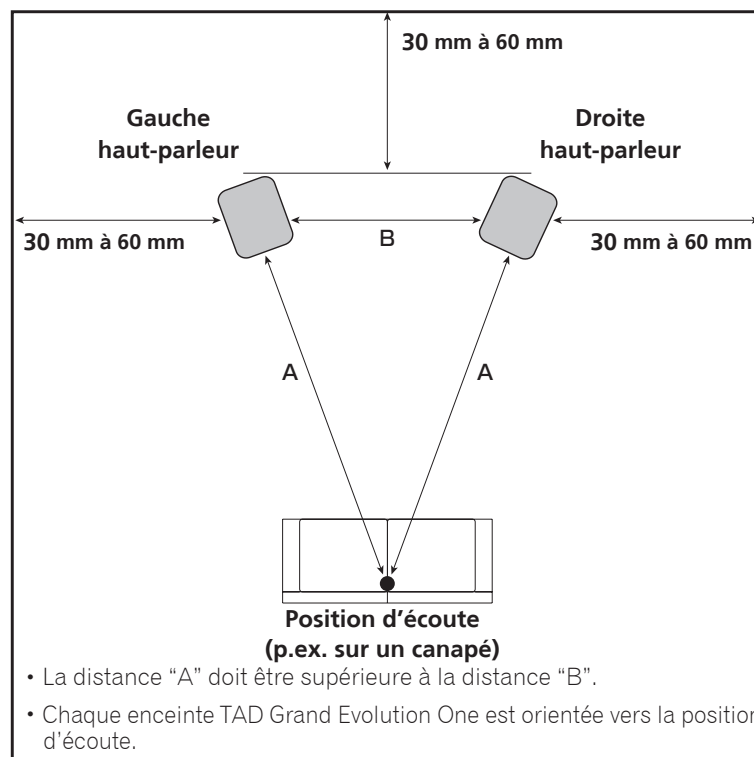


Figure 1. Emplacement d'une paire d'enceintes pour une écoute en stéréo

## Entretien des enceintes

Le système de haut-parleurs TAD Grand Evolution One a une finition miroir méticuleuse. Si de la poussière ou des empreintes digitales se trouvent sur l'enceinte, essuyez-les avec le chiffon de nettoyage fourni.

### ⚠ ATTENTION

- Pour nettoyer le coffret, n'utilisez pas de produits détergents, d'abrasifs ou de chiffons chimiquement traités.
- Un contact avec de l'alcool, du benzène, des insecticides et d'autres produits chimiques peut provoquer un écaillage ou une décoloration de la finition de la surface.

# CONNEXION DES ENCEINTES

## ATTENTION

- Avant de brancher les enceintes ou d'autres composants, mettez toujours l'amplificateur hors tension et débranchez son cordon d'alimentation.
- Les câbles d'enceintes ne sont pas fournis avec cet appareil et ils doivent donc être achetés séparément.
- Après avoir branché les enceintes, tirez doucement sur leurs câbles pour confirmer que chacun d'eux est convenablement branché sur sa borne respective. Des connexions relâchées peuvent provoquer une interruption des sons ou des parasites.
- Ne permettez pas que les fils d'un connecteur ou d'un câble touchent ceux d'un autre, car une charge excessive pourrait être appliquée à l'amplificateur, provoquant l'arrêt de son fonctionnement ou des dégâts.
- Si la polarité (+/-) de l'enceinte gauche ou droite est inversée par erreur lors de la connexion à l'amplificateur, les enceintes ne parviendront pas à produire l'effet stéréo adéquat.

## Spécifications de borne d'entrée

Cette enceinte est dotée de bornes d'entrée LF (basse fréquence) pour le woofer et de bornes d'entrée HF (haute fréquence) pour le branchement du CST (Transducteur de Source Cohérente).

## Connexions en mono-câblage

Pour des connexions unifilaires, utilisez les fiches coupe-circuit fournies comme accessoires pour raccorder les bornes d'entrée LF (pour woofer) aux bornes d'entrée HF (pour CST). Utilisez les fiches coupe-circuit pour raccorder les bornes d'entrée HF supérieure/inférieure aux bornes d'entrée LF supérieure/inférieure, comme illustré à la Fig. 2 ; raccordez ensuite le fil de haut-parleur positif (+) provenant de l'amplificateur à une des bornes de connexion rouges du haut-parleur, et le fil de haut-parleur négatif (-) provenant de l'amplificateur à une des bornes de connexion noires du haut-parleur.

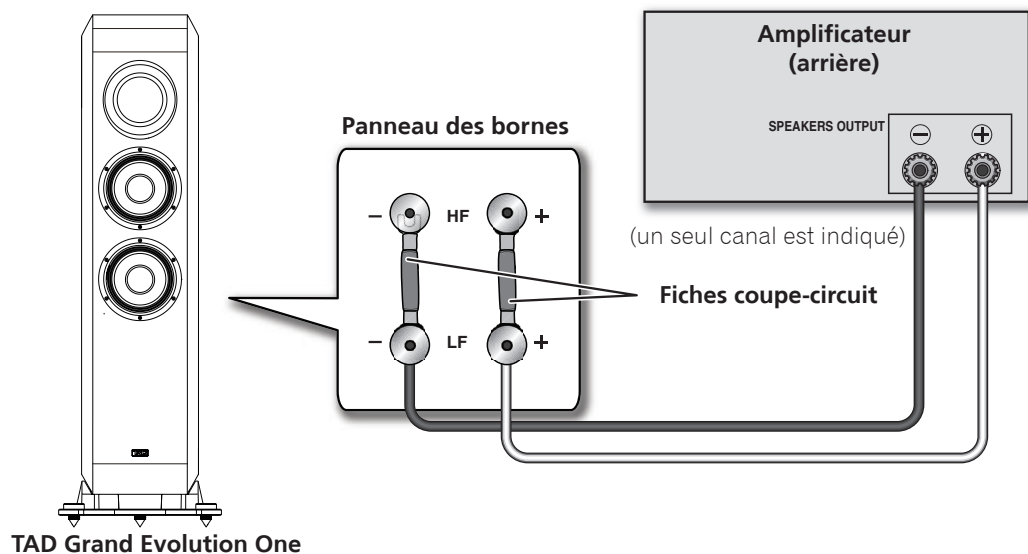


Figure 2. Connexion d'une enceinte TAD Grand Evolution One en un circuit unifilaire

## Connexions en bi-câblage

Pour des connexions bifilaires, les câbles de haut-parleur provenant de l'amplificateur sont raccordés individuellement sur les bornes d'entrée LF (pour woofer) et sur les bornes d'entrée HF (pour CST).

Raccordez un jeu de câbles de haut-parleur sur les bornes d'entrée LF (pour woofer). Ensuite, raccordez l'autre jeu de câbles de haut-parleur sur les bornes d'entrée HF (pour CST). En dernier lieu, raccordez les câbles de haut-parleur respectif par paires sur les bornes de haut-parleur de l'amplificateur.

Prenez bien soin de raccorder les deux câbles (+) sur les bornes (+) de l'amplificateur et les deux câbles (-) sur les bornes (-) de l'amplificateur, comme illustré sur la Figure 3.

### ATTENTION

- Déposez les fiches coupe-circuit avant de raccorder les câbles d'enceintes en connexions bi-filaires.

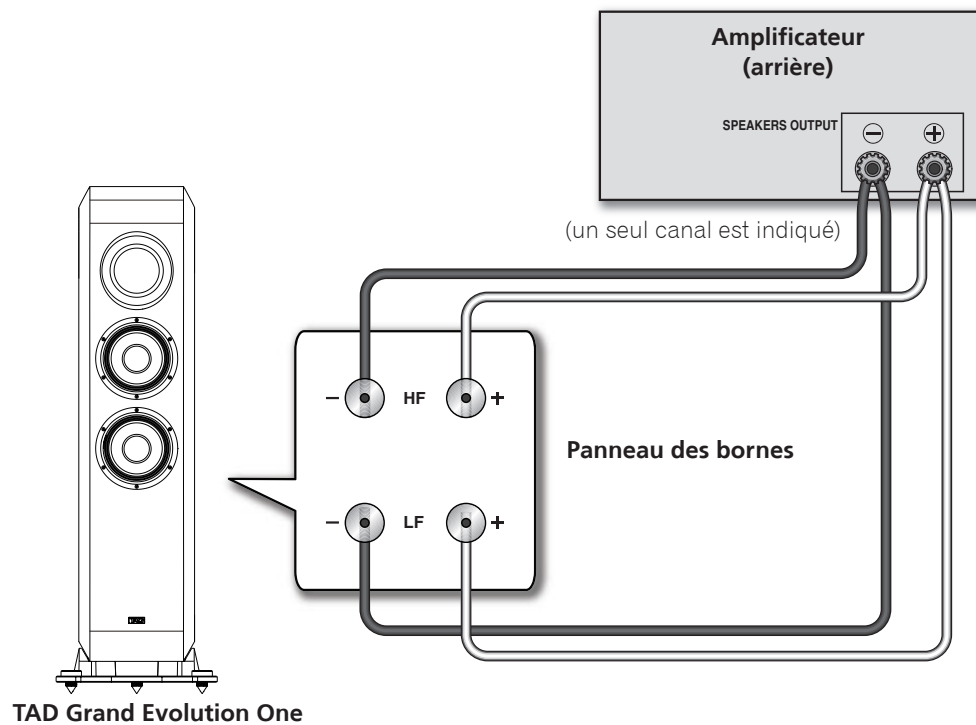


Figure 3. Connexion d'une enceinte TAD Grand Evolution One en un circuit bi-filaire

## Connexions pour bi-amplification

A l'emploi d'une configuration bi-amplification, un amplificateur dédié est raccordé sur les bornes d'entrée LF (pour woofers) et sur les bornes d'entrée HF (pour CST). Deux méthodes de connexion sont possibles, à savoir la "bi-amplification verticale" et la "bi-amplification horizontale".

### AVERTISSEMENT

- Déposez les fiches coupe-circuit avant de raccorder les câbles d'enceintes pour connexions à bi-amplification ; faute de quoi vous risqueriez d'endommager vos amplificateurs.

### Bi-amplification verticale

Dans cette configuration, des amplificateurs stéréo identiques sont utilisés pour chaque enceinte. Un canal de chaque amplificateur entraîne la section basses fréquences et l'autre canal la section hautes fréquences, comme illustré sur la Figure 4. Raccordez un jeu de câbles de haut-parleur entre les bornes Channel 2 (ou 1) de l'amplificateur et les bornes d'entrée LF de haut-parleur (pour woofers). Ensuite, raccordez l'autre jeu de câbles de haut-parleur entre les bornes Channel 1 (ou 2) de l'amplificateur et les bornes d'entrée HF de haut-parleur (pour CST).

Prenez bien soin de raccorder les deux câbles (+) sur les bornes (+) de l'amplificateur et les deux câbles (-) sur les bornes (-) de l'amplificateur.

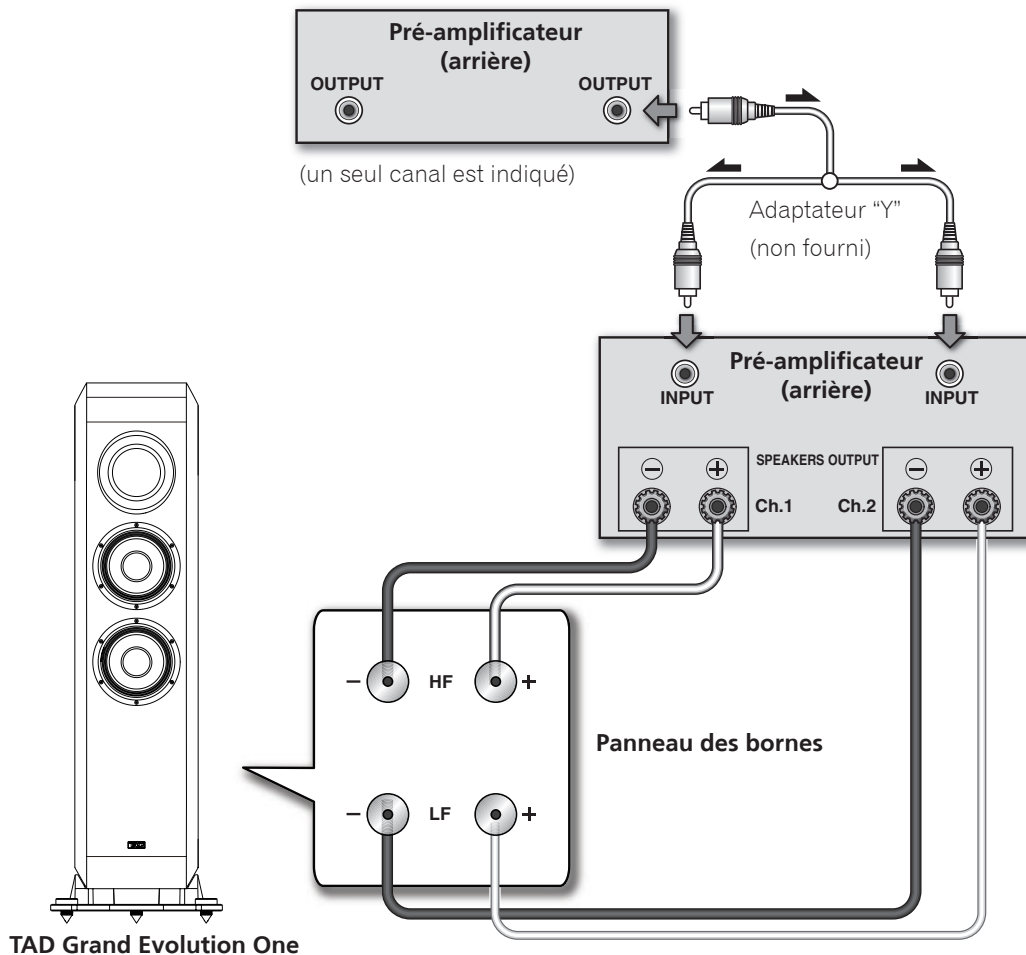


Figure 4. Connexion d'une enceinte TAD Grand Evolution One en un circuit bifilaire vertical



## Bi-amplification horizontale

Avec cette méthode de branchement, des amplificateurs stéréo indépendants sont utilisés respectivement pour piloter le circuit LF de haut-parleur (pour woofer) et le circuit HF (pour CST).

Comme illustré sur la Figure 5, chaque canal d'un des amplificateurs est utilisé pour alimenter la plage basses fréquences, tandis que chaque canal de l'autre amplificateur sert à alimenter la plage hautes fréquences des deux enceintes.

Pour utiliser cette méthode, chacun des amplificateurs doit avoir la même valeur de gain. Si les deux amplificateurs ont des valeurs de gain différentes, un déséquilibre se produira entre les niveaux de lecture des plages de basses et de hautes fréquences. Consultez votre concessionnaire pour un complément d'informations.

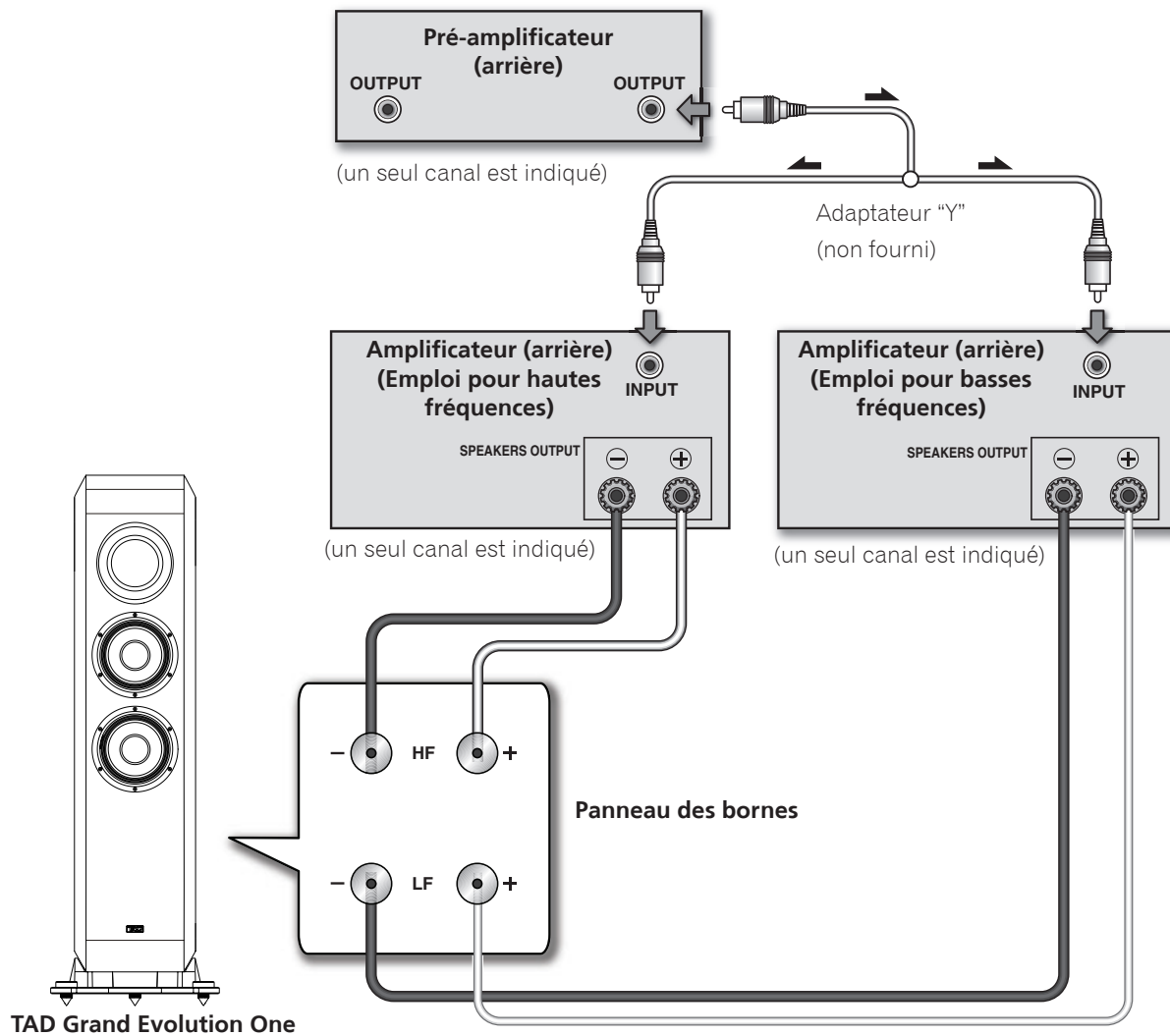


Figure 5. Connexion d'une enceinte TAD Grand Evolution One en un circuit à bi-amplification horizontale

# OPTIMISATION DU SYSTÈME

## Amélioration des performances de graves

Choisissez une plage musicale comportant des sons graves bien enregistrés, tels que par une basse acoustique. Ecoutez toutes les notes graves ayant un niveau presque égal. Si des notes ressortent plus fortement que d'autres, essayez de déplacer l'enceinte TAD Grand Evolution One de manière à obtenir la progression des notes la plus égale possible.

Normalement, un déplacement des enceintes vers les parois augmentera la sortie des graves, mais cela peut aussi produire une inégalité dans le haut de l'échelle musicale. Rapprocher les enceintes des parois latérales produira le même effet que de les rapprocher de la paroi arrière ; essayez donc de trouver les sons les plus agréables en les déplaçant dans les deux sens.

Ecoutez aussi les sons de tambours. La grosse caisse doit donner un son net et rapide, sans montée dans les basses fréquences.

Des changements, même minimes, dans la position de l'enceinte peuvent avoir un effet considérable sur les performances des graves ; prenez donc votre temps pour déterminer leur position.

Un bon conseil pour accélérer ces ajustements? Demandez à quelqu'un de se déplacer en parlant dans le local d'écoute.

Recherchez l'endroit où les sons de la voix sont les plus naturels, sans écho ajouté, et disposez l'enceinte à cet endroit.

## Amélioration de l'imagerie

Sélectionnez à présent une musique ayant une forte image centrale. A l'écoute, faites en sorte que cette image soit centrée exactement entre les deux enceintes et bien convergente. Si l'image manque de précision et s'élargit, il est probable que les parois latérales créent de forts reflets sonores. Essayez de rapprocher davantage les enceintes pour réduire cet effet. Si elles sont trop rapprochées, essayez plutôt d'orienter légèrement les enceintes pour que leur axe se croise devant la position d'écoute.

En raison des performances supérieures du CTS en position désaxée, l'intensité des reflets sonores des parois latérales sera réduite, tandis que l'image sera stabilisée et mieux focalisée.

Ecoutez ensuite de la musique dont l'acoustique est bien enregistrée. Assurez-vous que l'image est large et profonde. Une profondeur limitée fait penser que les enceintes sont placées trop près de la paroi avant. Essayez en les déplaçant vers l'avant.

## Optimisation finale

Vous constaterez peut-être qu'en déplaçant vos enceintes pour optimiser un aspect, vous en détériorez un autre ; par exemple, vous améliorez la précision d'image au détriment de la réponse des graves. Si c'est le cas, essayez de déplacer votre position d'écoute. La réponse des graves est fortement tributaire à la fois de la position d'écoute et de celle des enceintes, tandis que l'imagerie est surtout déterminée par la position des enceintes.

Par conséquent, vous remarquerez peut-être que si l'optimisation de l'image compromet les graves, un changement de la position d'écoute rétablira la qualité de la performance des graves.

Les caractéristiques du local d'écoute auront aussi un impact profond sur les sons. Des pièces Live avec peu de mobilier moelleux et un plancher dur transmettront aux sons un sentiment artificiel d'ampleur, mais elles réduiront l'intimité et l'exactitude.

En revanche, des pièces éteintes, regorgeant de mobilier, de moquette et de tentures produiront des sons desséchés et sans vie et elles nécessiteront bien plus de puissance pour entraîner les haut-parleurs à des niveaux sonores adéquats. L'idéal se trouve quelque part entre les deux. Evitez des parois parallèles et uniformes, surtout les parois latérales, car elles transmettent de forts échos flottants et elles exerceront une mauvaise influence sur l'imagerie. Essayez de couper les longues surfaces murales au moyen de tentures, draperies ou étagères et évitez une trop grande symétrie dans l'agencement de la pièce car ceci affectera également l'imagerie.

## Nom de modèle

TAD Grand Evolution One

## No. de modèle

TAD-GE1

## Conception

3-type de sol graves reflex

## Haut-parleurs

Woofers .....Cône de 18 cm x 2

Médium/Tweeter

..... Cône concentrique de 14 cm / Semi-dôme de 3,5 cm

## Données sur performances

Plage de fréquences.....27 Hz à 100 kHz

Fréquences de recouvrement.....250 Hz et 1,8 kHz

Puissance d'entrée maximale ..... 250 W

Niveau de pression acoustique de sortie

.....88 dB @ 2,83 V and 1 m (conditions anéchoïques)

Impédance ..... 4 Ω (Min 3,6 Ω)

## Données physiques

Poids .....64 kg

Dimensions

Incluant les pointes :

Largeur ..... 1240 mm

Hauteur.....394 mm

Profondeur .....547 mm

Sans pointes :

Largeur ..... 1212 mm

Hauteur.....394 mm

Profondeur .....547 mm

Pointes + supports de pointes :

Largeur ..... 1243 mm

Hauteur.....394 mm

Profondeur .....547 mm

## Accessoires fournis

- Ce mode d'emploi x 1
- Chiffon de nettoyage x 1
- Grille de woofers x 2
- Carte de garantie  
(Cette garantie est valable uniquement au Japon.)
- Fiches coupe-circuit x 2
- Réceptacle de pointe x 3
- Pointe x 3
- Pieds auxiliaires x 2

## Remarque

Les pièces fournies varient légèrement selon les régions.

Les spécifications et les détails de construction dans ce document et les publications relatives à TAD sont sujettes à modifications sans préavis. Le logo TAD est une marque déposée de Technical Audio Devices Laboratories, Inc.

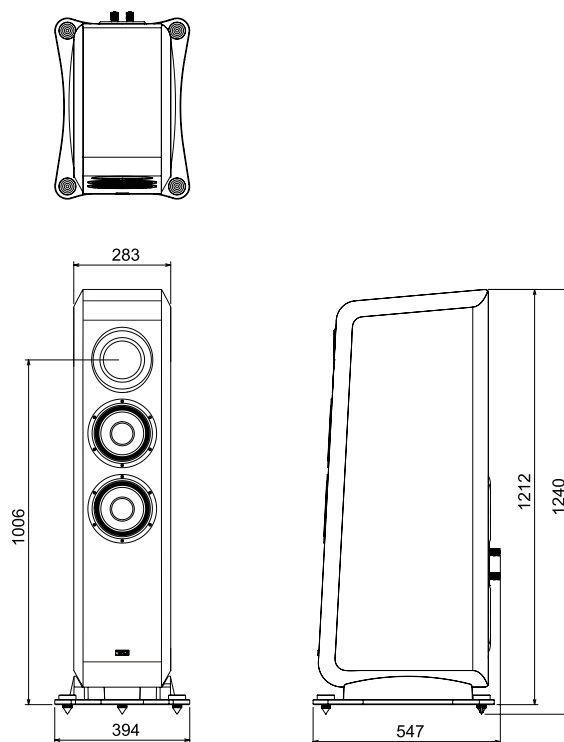


Figure 6 : Dimensions hors-tout de l'enceinte TAD Grand Evolution One

Le coffret de cette enceinte fait appel à des matériaux de bois véritable.

Chaque unité dégage ainsi une profondeur de couleur unique et un lustre splendide, mais il a été impossible de parvenir à une uniformité parfaite et c'est pourquoi les deux unités ne sont pas exactement identiques.

Veuillez garder ce point à l'esprit en utilisant vos enceintes.

## La protection de votre ouïe est entre vos mains

Pour assurer le rendement optimal de votre matériel et – plus important encore – la protection de votre ouïe, réglez le volume à un niveau raisonnable. Pour ne pas altérer votre sens de la perception, le son doit être clair mais ne produire aucun vacarme et être exempt de toute distorsion. Votre ouïe peut vous jouer des tours. Avec le temps, votre système auditif peut en effet s'adapter à des volumes supérieurs, et ce qui vous semble un « niveau de confort normal » pourrait au contraire être excessif et contribuer à endommager votre ouïe de façon permanente. Le réglage de votre matériel à un volume sécuritaire AVANT que votre ouïe s'adapte vous permettra de mieux vous protéger.

### CHOISISSEZ UN VOLUME SÉCURITAIRE:

- Réglez d'abord le volume à un niveau inférieur.
- Montez progressivement le volume jusqu'à un niveau d'écoute confortable ; le son doit être clair et exempt de distorsions.
- Une fois que le son est à un niveau confortable, ne touchez plus au bouton du volume.

### N'OUBLIEZ PAS DE RESPECTER LES DIRECTIVES SUIVANTES:

- Lorsque vous montez le volume, assurez-vous de pouvoir quand même entendre ce qui se passe autour de vous.
- Faites très attention ou cessez temporairement l'utilisation dans les situations pouvant s'avérer dangereuses.
- N'utilisez pas des écouteurs ou un casque d'écoute lorsque vous opérez un véhicule motorisé ; une telle utilisation peut créer des dangers sur la route et est illégale à de nombreux endroits.

S001a\_A1\_Fr





# 安全上のご注意

- 安全にお使いいただくために、必ずお守りください。
- ご使用前にこの「安全上のご注意」をよくお読みのうえ、正しくお使いください。
- 取扱説明書は保証書と一緒に大切に保管してください。

この取扱説明書および製品には、製品を安全に正しくお使いいただき、あなたや他の人々への危害や財産への損害を未然に防止するために、いろいろな絵表示をしています。その表示と意味は次のようになっています。  
内容をよく理解してから本文をお読みください。



## 警告

この表示を無視して、誤った取り扱いをすると、人が死亡または重傷を負う可能性が想定される内容を示しています。



## 注意

この表示を無視して、誤った取り扱いをすると、人が軽傷を負う可能性が想定される内容および物的損害の発生が想定される内容を示しています。

## 絵表示の例



△ 記号は注意（警告を含む）しなければならない内容であることを示しています。



⊘ 記号は禁止（やってはいけないこと）を示しています。



● 記号は行動を強制したり指示したりする内容を示しています。



## 警告



ぐらついた台の上や傾いたところなど、不安定な場所に置かない  
落ちたり、倒れたりしてけがの原因となります。



天井から吊り下げたり、壁に掛けたりしない  
落ちてけがの原因となります。



小さな部品をお子様の手の届くところに置かない  
万一飲み込んだ場合は、ただちに医師と相談してください。



## 注意



本機の上に乗ったり、ぶら下がったり、よりかかったりしない  
倒れたり、壊れたりしてけがの原因になることがあります。



音が歪んだ状態で長時間使用しない  
スピーカーが発熱し、故障や火災の原因になることがあります。



本機の上に重いものや、大きなものを置かない  
倒れたり、落下したりしてけがの原因になることがあります。



改造したり、分解したりしない  
破損や火災の原因になることがあります。

## 使用上のご注意



このスピーカーシステムのインピーダンスは 4 Ω です。負荷インピーダンスが 4 Ω 対応のアンプ (スピーカー出力端子に 4 Ω 適合表示があるもの) に接続してお使いください。



スピーカーを過大入力による破損から守るため、下記の注意事項をお守りください。

- 許容入力以上を入力しない。
- 本機を含む AV 機器をアンプに接続するときは、アンプの電源を OFF にする。
- グラフィックイコライザーで高音を増強する場合、音量を上げすぎない。
- 小出力アンプで無理に大きな音を出さない。(アンプの高調波歪が増え、スピーカーを破損することがある)



同軸ユニット (トゥイーター、ミッドレンジ) には強力な磁気回路を用いています。鉄などの磁性体を近づけないでください。振動板を破損する恐れがあります。

**組み立て、取り付けの不備、取り付け強度不足、誤使用、改造、天災などによる事故損傷については、当社は一切責任を負いません。**

# もくじ

安全上のご注意.....	2	バイワイヤリング接続.....	10
付属品の確認.....	4	バイアンプ接続.....	11
TAD について.....	5	バーチカルバイアンプ.....	11
TAD Grand Evolution One の特長.....	5	ホリゾンタルバイアンプ.....	12
設置・お手入れ.....	6	システムの調整.....	13
設置のしかた.....	6	ウーファースのパフォーマンス向上のために.....	13
設置場所を決める.....	8	臨場感向上のために.....	13
スピーカーシステムのお手入れ.....	8	最終調整について.....	13
スピーカーシステムを接続する.....	9	保証とアフターサービス.....	14
入力端子仕様.....	9	仕様.....	15
シングルワイヤリング接続.....	9		

## 付属品の確認

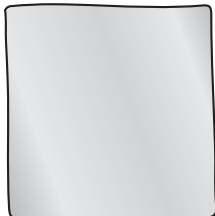
以下のものが入っていることを確認してください。

### アクセサリフォルダー

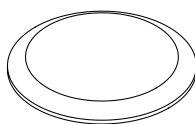
- オナーズマニュアル (本書) × 1



- クリーニングクロス × 1

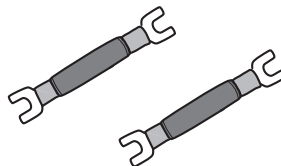


- ウーファークリル × 2



- 保証書 (日本国内用)

- 短絡コード × 2



- スパイク受け × 3



- コーン型スパイク × 3



- 転倒防止スパイク × 2





## 所有する喜びと誇り、聴く喜びと感動のために

「TAD」という名称は“Technical Audio Devices”の頭文字から命名されました。

これは、1975年にパイオニア（株）において最高級スピーカー開発プロジェクトの発足時、技術顧問として参画し、当時 USA プロオーディオ界の第1人者であった故バート・ロカンシーの「基本に忠実な技術こそ本物の技術であり、技術志向に傾くことなく、常に音質を最重視する技術こそ本物の技術である」という理念に基づく、“綿密な理論検討と正確な実験に裏付けられた工学的アプローチ”の手法を表現したものです。

自らのスピーカー理論を実践するための新境地を見出したバート・ロカンシーと、その思想と哲学を受け継ぐエンジニアたちの、決して妥協を許さぬ技術への探究心が、「TAD」という存在そのものなのです。

この「TAD」の意思を受け継ぎ、TECHNICAL AUDIO DEVICES LABORATORIES, INC. は設立されました。

私たちは、当社の持つ最高の技術で皆様へ聴く喜びと感動を提供していきたいと考えています。

## TAD Grand Evolution One の特長

TAD-GE1 は TAD が長年培ってきた音響技術と最新テクノロジーを駆使し、感動の音を目指し創りあげたスピーカーシステムです。

### 1. 同軸スピーカーユニット「CST<sup>\*1</sup> ドライバー」を搭載

本機は、位相の一致したポイントから、広帯域にわたって指向性をコントロールして再生する同軸スピーカーユニット「CST ドライバー」を搭載しており、安定した定位と自然な音場空間を再現します。ミッドレンジのコーン形状は、同軸配置したトゥイーターの指向特性をコントロールするように設計され、トゥイーターとミッドレンジのクロスオーバーにおける位相特性と指向特性とを一致させることで、全帯域で自然な減衰特性と指向放射パターンの両立を実現し、CST ドライバーのみで 250 Hz ~ 100 kHz という超広帯域再生が可能です。

回折の少ない形状のエンクロージャーに搭載することで、CST ドライバーの性能を余すことなく引き出します。また、CST ドライバーからエンクロージャーへの振動伝達を軽減する ISO (Isolation) ドライブテクノロジーを採用、音ににごりのないクリアな空気感をも再生することができます。

### 2. トゥイーターにベリリウム、ミッドレンジにはマグネシウム振動板を採用

トゥイーターの振動板に、軽量で剛性に優れたベリリウムを採用しています。独自に開発した蒸着法を用い、内部損失を大きくすることにより、優れた高域共振の減衰特性を実現しています。ミッドレンジには、マグネシウム振動板を採用することで、材料固有の共振音の影響を排除し、歪みの少ない音を再生します。

### 3. ウーファーに MACS II<sup>\*2</sup> 振動板を採用

ウーファーに、軽量で高剛性なアラミド繊維を何層にもラミネートした MACS 振動板を採用し、センターキャップとコーンをシェル状に一体化することで、豊かな低音再生とクリアな中低域再生を実現しています。

### 4. キャビネットの不要共振を低減する SILENT<sup>\*3</sup> エンクロージャーを採用

高剛性の樺（バーチ）合板を骨組みに使用し、高内部損失の MDF 材と組み合わせることで、高い強度と低い共振を実現する SILENT エンクロージャーを採用しています。さらに、エンクロージャー内部の定在波解析を行い、低次のモードを低減する AFAST<sup>\*4</sup> を採用。最適な吸音材を選定して効果的に配置することで、音像・音場に悪い影響を及ぼす内部定在波を抑制しています。

### 5. 「Bidirectional ADP<sup>\*5</sup> システム」を採用

バスレフ動作のためのポートをエンクロージャー底部に設置。15mm 厚のベースプレートとエンクロージャー下部、およびアルミダイキャスト製のホーンプレートで構成されるホーン形状の開口部を前後に設けることで、自然で豊かな低域を再生します。

\*1 CST: Coherent Source Transducer

\*2 MACS II : Multi-layered Aramid Composite Shell (2nd generation)

\*3 SILENT: Structurally Inert Laminated Enclosure Technology

\*4 AFAST: Acoustic Filter Assisted System Tuning

\*5 Bidirectional ADP: Bidirectional Aero-Dynamic Port

# 設置・お手入れ



## 設置環境についてのご注意

多湿・過乾燥、急激な温度変化、紫外線の強い環境は避けてください。

木材や塗装の収縮によるエンクロージャーの変形、変色およびスピーカーが故障する原因になります。

以下のような場所には設置しないでください。

- ・ 直射日光のあたる場所
- ・ 暖房器具に近い場所
- ・ エアコンの真下または送風が直接あたる場所
- ・ 風通しが悪く、湿気やホコリの多い場所

人が不快に感じる環境は、スピーカーにとっても同じです。

快適な環境でご使用していただくことにより、本来の性能を十分に発揮できます。

ご使用場所の環境は以下を目安に、冷暖房装置および加湿器や除湿機などの使用をお勧めします。

温度：15℃～25℃

湿度：35%～65%（冬期）/ 40%～70%（夏期）



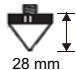


## 設置に際してのご注意

- ・ 本製品の総質量は64kgです。設置場所がこの質量十分耐えられることをご確認ください。
- ・ 本機は64kgの重量があるため、傾けながらスパイクの取り付け作業を行うときは必ず2人以上で作業してください。取り付ける際には、スピーカーシステムに指を挟まれたり、スピーカーシステムが倒れたりしないようご注意ください。
- ・ スピーカーユニット前面に手をかけないでください。メッシュや振動板の変形や破損の恐れがあります。
- ・ また、スパイクを使用する場合、スパイク1個あたり21kg以上の荷重がかかりますので、設置場所に跡や凹みができる場合があります。キズつきを避ける場合は、付属のスパイク受けを使用する、または1個あたりの設置面積が大きく十分強度のあるスパイク受けをご用意ください。
- ・ スピーカーシステムにスパイクを使用している場合、移動の際に床にキズがつく原因となりますので、設置場所を移動する前にスパイクおよび転倒防止スパイクを取り外してください。

## 設置のしかた

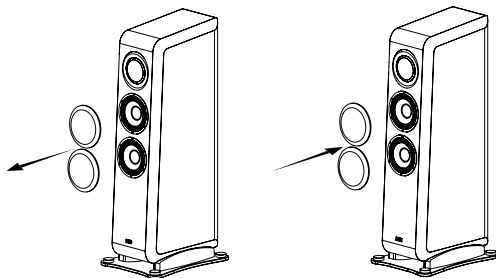
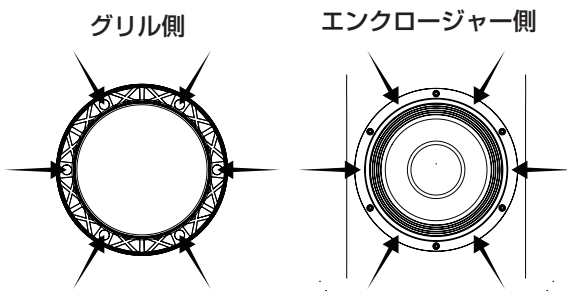
### 床やラックに設置する

本機のキャビネット底面にはアルミのプレートが取り付けられており、床面が平らである場合は、そのまま設置することができます。また、本機にはスパイク、スパイク受け、および転倒防止スパイクが付属していますので、設置面の状態に合わせて最適な設置方法を選ぶことができます。以下を参考にして設置方法を決めてください。

スパイク	設置場所	使い方
コーン型スパイク 	じゅうたんを敷いた床で、床にキズがつかない、またはキズがついても構わない場所	スパイクをじゅうたんに突き刺して使用します。 
	平坦な場所	設置面のキズつきを防ぐため、付属のスパイク受けを使用します。 
スパイクを使用しない	平坦な場所	滑り止めのシートをご用意していただき、底面に敷いて設置してください。

## ウーファーグリルの着脱

本機は磁石で吸着するウーファーグリルを付属しております。  
磁石は下図のように6ヶ所に埋め込まれています。  
取り付け方：磁石位置が下図のようになるように取り付けてください。  
取り外し方：下図のように手前にグリルを引いて取り外してください。  
尚、このスピーカーシステムをご使用の際やお手入れ時は、ウーファーグリルを外してください。また取り付けた状態で鉛直方向に力を加えるとグリルが落下する恐れがあります。



## スパイクの取り付け方



**注意**

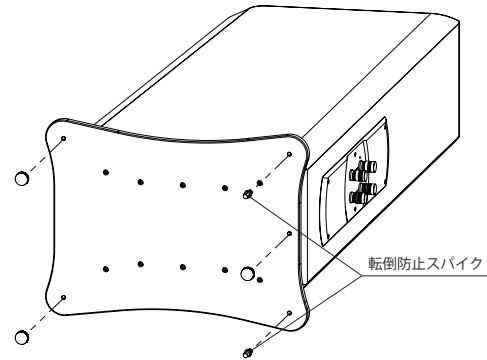
スパイクを取り付ける際は必ず奥までねじ込んでください。

スパイクを使用することで、設置面に対してしっかりと設置することができます。

スパイクはキャビネット底面のアルミベースネジ孔3カ所にねじ込みます。

3カ所で支えることで、スパイクの高さを微調整することなく、設置面に対してガタツキのない設置をすることができます。

8ページの「設置場所を決める」を参考に設置場所が決まったら、以下の手順に従いスパイクおよび転倒防止スパイクを取り付けてください。

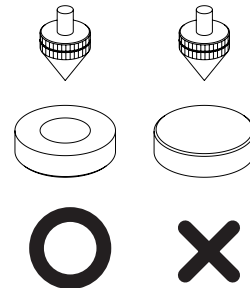


1. アルミベースの底面3カ所にスパイクをねじ込みます。(前側2カ所、後側1カ所)
2. うしろの2カ所に転倒防止スパイクを取り付け、ガタツキがないようにその長さを調整し、ナットで締めつけます。
3. スパイクが載る設置場所に、あらかじめスパイク受けを置いておき、スピーカーをスパイク受けの上に立てます。



**ご注意**

- ・ スパイクの取り付け作業を行うときは、キズのつかない柔らかい布などの上に寝かせて作業してください。
- ・ スパイク受けは下図のように、中央にくぼみのある面を上にして置いてください。



- ・ スパイク受けを使用せずにスパイクだけを使用した場合、設置した床などにキズをつける可能性があります。

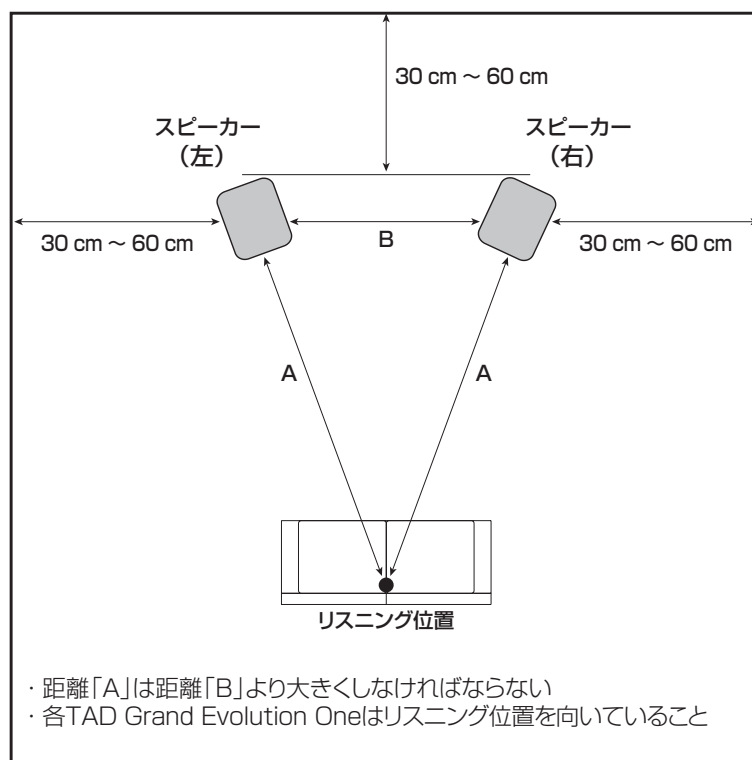
## 設置場所を決める

リスニングルームでのスピーカーシステムの設置状態は、低音の再生能力、音の正確性、臨場感の面で本機の総合パフォーマンスに大きく影響します。部屋の環境によって設置のしかたが異なりますので、このセクションはガイドのみを目的としています。実際に部屋で設置を試してみることで、最適な結果が得られます。

はじめに、第1図のように、スピーカーシステムをリスニングルームの壁面から30 cm ~ 60 cm 程度、両側の壁から30 cm ~ 60 cm の場所に置きます。リスニング位置は、2つのスピーカーシステムからほぼ等距離が良いでしょう。また、スピーカーシステムを内側に向けて各軸がリスニング位置を向くようにします。

次に、8ページの「スピーカーシステムを接続する」で述べるようにオーディオシステムを接続します。

さらに、12ページの「システムの調整」で述べるようにスピーカーシステムの設置を最適化します。



第1図：2チャンネルセッティング例

## スピーカーシステムのお手入れ

TAD Grand Evolution One スピーカーシステムは入念な鏡面塗装仕上げとなっております。エンクロージャーにホコリや指紋がついたときは、付属のクリーニングクロスで拭き取ってください。

### ⚠ 注意

- ・ エンクロージャーのお手入れには、クリーナーや研磨剤、化学ぞうきんを使用しないでください。
- ・ アルコール、ベンジン、殺虫剤などが付着すると、塗装がはがれる場合があります。

## ⚠ 注意

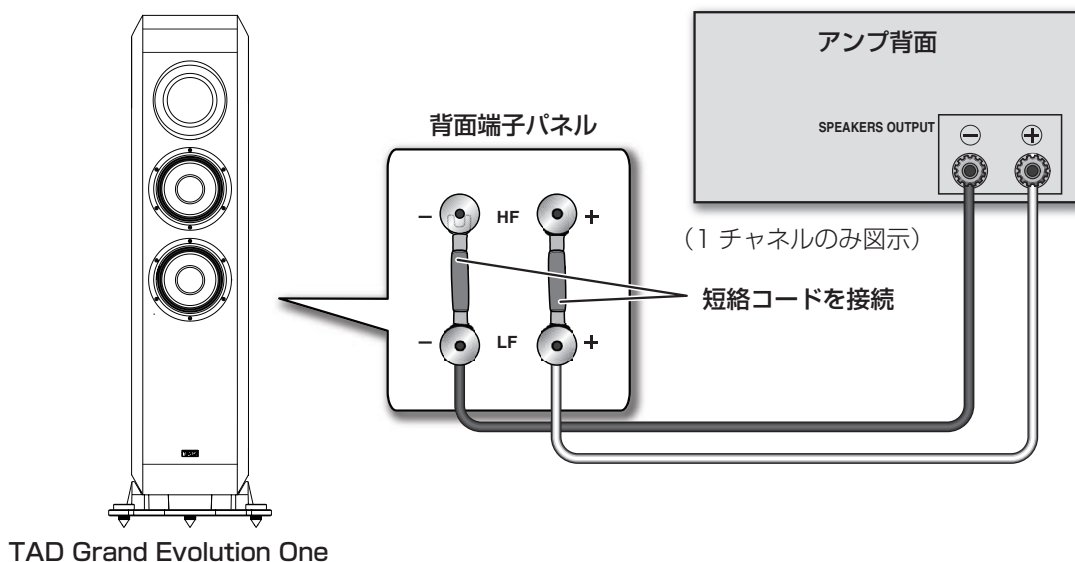
- 機器の接続や変更を行う場合は、必ずアンプや他の機器の電源を切り、電源コードをコンセントから抜いてください。
- 接続するにあたって、本機にはスピーカーコードは付属していません。スピーカーコードは市販のものをご使用ください。
- 端子に接続したあとコードを軽く引いて、コードの先端が端子へ確実に接続されていることを確かめてください。不完全な接続は、音かとぎれたり、雑音が出たりする原因となります。
- コードの芯線がはみ出して、芯線どうしが触れたりするとアンプに過大な負荷が加わって動作が停止したり、故障することがあります。
- アンプに接続したときに、片方（右または左）のスピーカーシステムの極性（+、-）を間違ってしまう場合、正常なステレオ効果が得られなくなります。

## 入力端子仕様

本機は独立した、ウーファー用入力端子 [LF (Low-Frequency) 入力端子] と CST 用入力端子 [HF (High-Frequency) 入力端子] を備えております。

## シングルワイヤリング接続

シングルワイヤリング接続をするには、短絡コードで LF 入力端子（ウーファー用）と HF 入力端子（CST 用）を結合します。第 2 図のように、短絡コードを使用して上下の HF 入力端子と LF 入力端子を短絡させ、アンプからの（+）線をいずれかの赤の接続端子に、アンプからの（-）線をいずれかの黒の接続端子に接続します。



第 2 図：TAD Grand Evolution One の  
シングルワイヤリング接続

## バイワイヤリング接続

バイワイヤリング接続では、アンプからのスピーカーケーブルを個別に LF 入力端子（ウーファー用）と HF 入力端子（CST 用）に接続します。

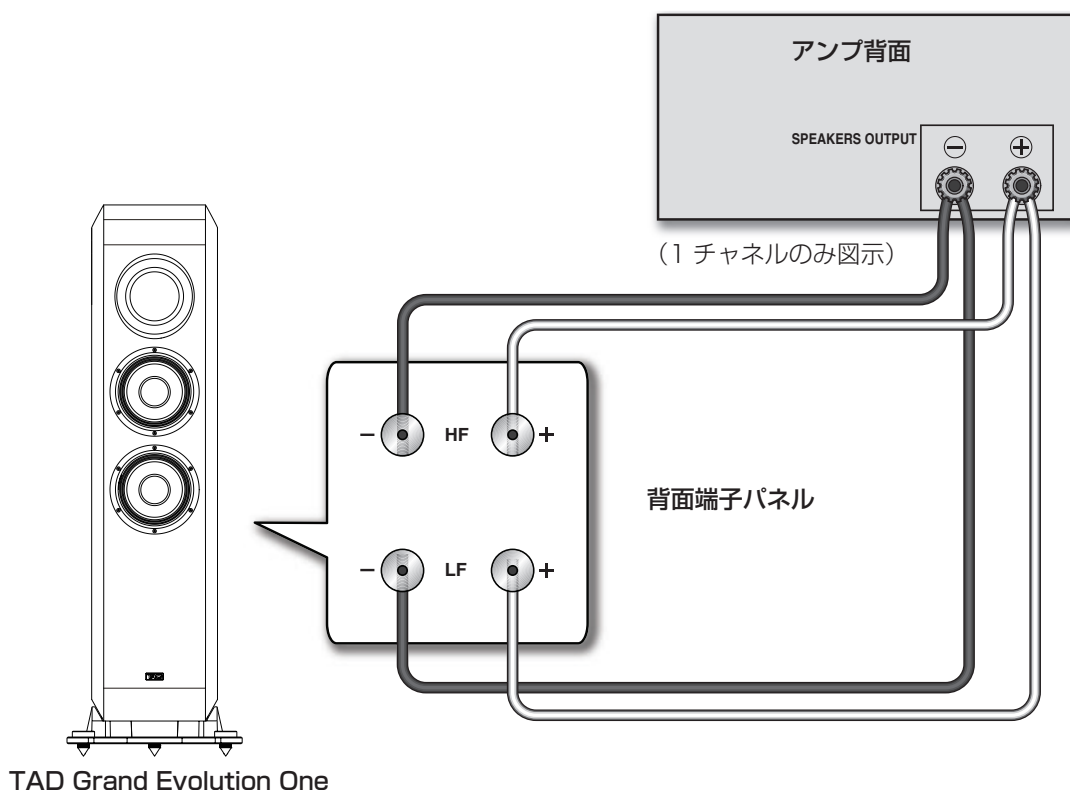
1 組のスピーカーケーブルを、LF 入力端子（ウーファー用）に接続します。そして、もう 1 組のスピーカーケーブルを、HF 入力端子（CST 用）に接続します。次に、それぞれのスピーカーケーブルをともにアンプのスピーカー端子に接続します。

第 3 図のように、必ずそれぞれのケーブルの（+）側をアンプの（+）端子に、（-）側をアンプの（-）端子に接続してください。



### 注意

バイワイヤリング接続をする場合は、スピーカーケーブルを接続する前に短絡コードを取り外してください。



第 3 図：TAD Grand Evolution One のバイワイヤリング接続

## バイアンプ接続

バイアンプは、LF 入力端子（ウーファー用）と HF 入力端子（CST 用）について専用のアンプを使用します。2 つの接続方法があり、バーチカルバイアンプ接続、水平バイアンプ接続といいます。

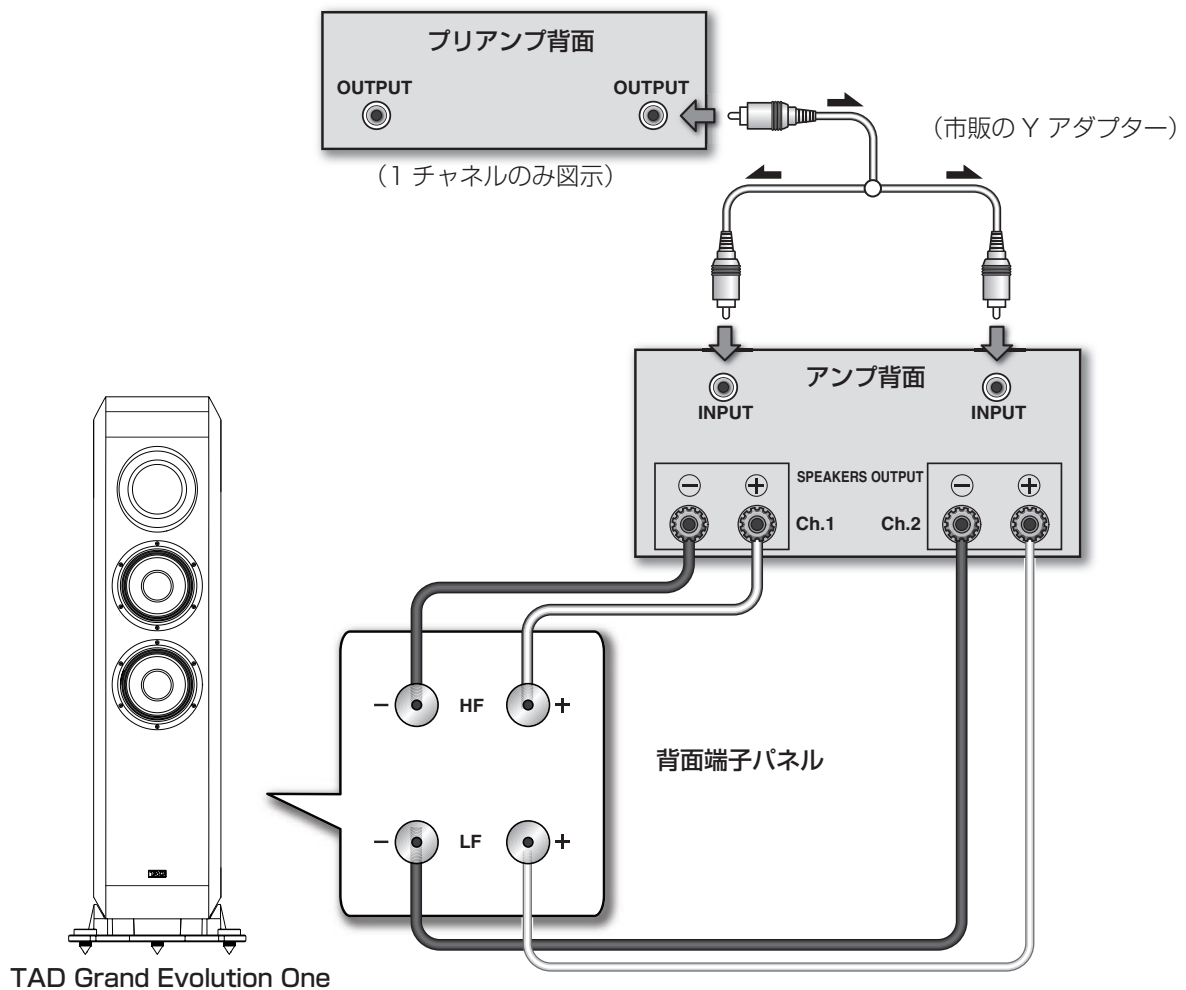
### ⚠ 注意

バイアンプ接続をする場合は、スピーカーケーブルを接続する前に短絡コードを取り外してください。アンプを破損する原因となることがあります。

### バーチカルバイアンプ

この接続では、同じステレオアンプを各スピーカーシステムに使用します。第 4 図のように、各アンプの 1 チャンルで低周波数域を駆動し、他のチャンネルで高周波数域を駆動します。1 組のスピーカーケーブルをアンプのチャンネルと LF 入力端子（ウーファー用）に接続します。それから、もう 1 組のスピーカーケーブルをアンプの他のチャンネルと HF 入力端子（CST 用）に接続します。

必ずそれぞれのケーブルの（+）側をアンプの（+）端子に、（-）側をアンプの（-）端子に接続してください。



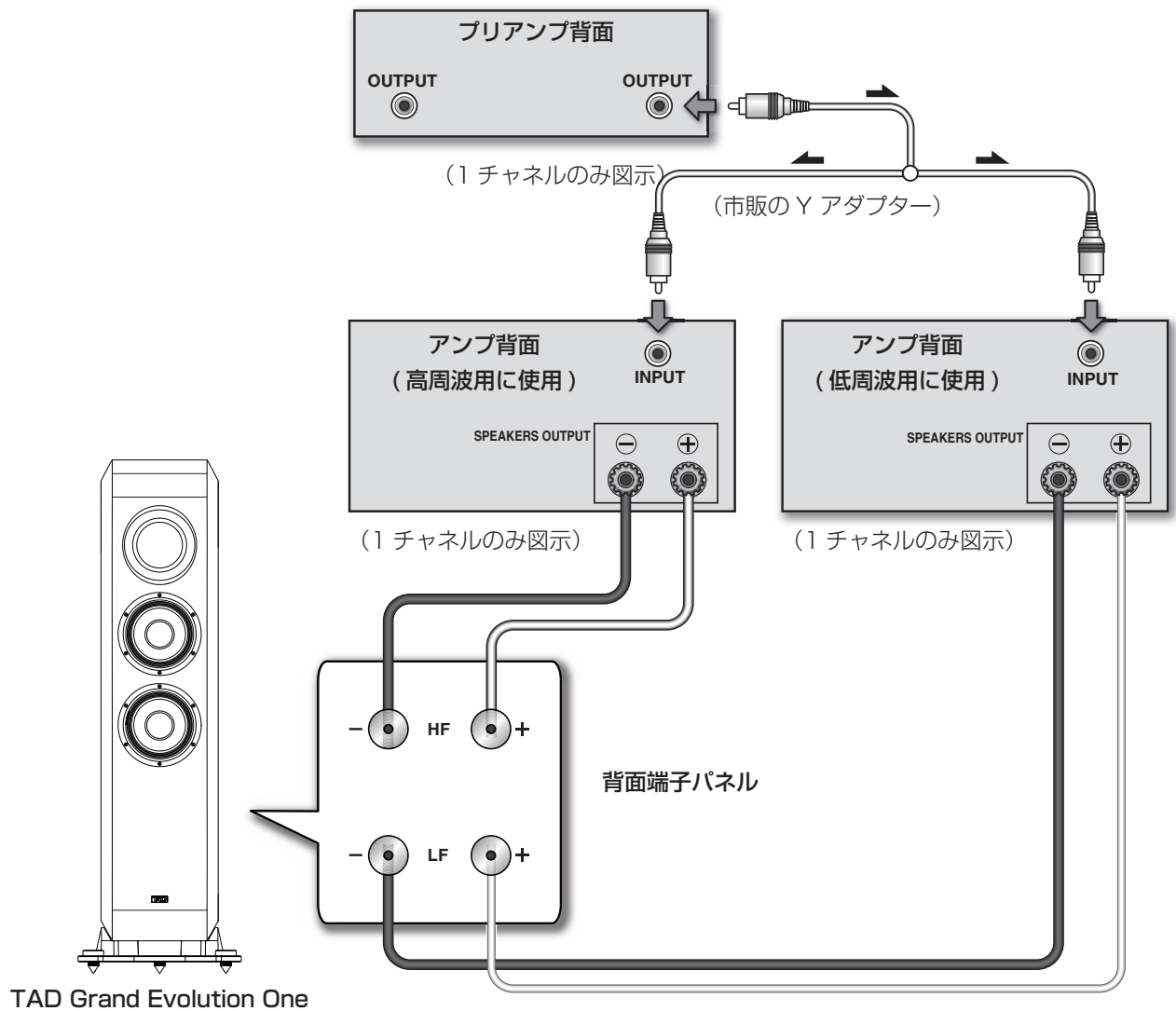
第 4 図 : TAD Grand Evolution One の  
バーチカルバイアンプシステム接続

## 水平バイアンプ

この接続では、異なるステレオアンプを LF 入力端子（ウーファー用）と HF 入力端子（CST 用）に使用します。

第 5 図のように、1 つのアンプの各チャンネルで各スピーカーシステムの低周波数域を駆動し、他のアンプの各チャンネルで高周波数域を駆動します。

この方式は、2 つのアンプが同じゲインである必要があります。ゲインが異なる場合、低周波数再生と高周波数再生の間に再生レベルに不均衡が生じます。ご不明な点は販売店にご相談ください。



第 5 図：TAD Grand Evolution One の  
水平バイアンプシステム接続



# システムの調整

## ウーファースのパフォーマンス向上のために

アコースティック弦楽器のベースのような低音がよく録音されている音楽を選びます。すべてのベースの音階がほぼ同じレベルであるかを聴きます。もし、いずれかの音が他の音より強調されているようなら、音階が最も均質になるまで TAD Grand Evolution One スピーカーシステムを移動させてみます。

通常は壁に近づけると低音のベース出力が増大しますが、音階の高い方で不均質になることがあります。側壁に近づけたときと背面に近づけたときでは同じ効果にはならないので、両方に動かしてみても最も快適な音になるようにします。

ドラムの音も聴きます。キックドラムは低周波数のふくらみがなくタイトで速く聞こえるのが良い状態です。スピーカーシステムの位置が数センチ変化するだけでウーファースのパフォーマンスに大きな影響を生じることがありますので、時間をかけて多くの位置で試してください。

作業を早く済ませるための裏技は、人と話しながら室内を動き回ってもらうことです。声が反響なく最も自然に聞こえる位置を聴き分けて、その場所にスピーカーシステムを設置します。

## 臨場感向上のために

センターイメージの強い音楽を選び、その音像が正確にスピーカーシステムの中央に定位するように、焦点を合わせます。臨場感が不明確で広がってしまうときは、おそらく側壁が強い反射を起こしています。この効果を下げるためには、スピーカーシステムを中央に寄せます。これで近づきすぎると、リスニング位置の前方で軸が交差するようにスピーカーシステムの間に入ってみます。CST ドライバーの優れた軸外パフォーマンスにより、側壁反射の強さが低減して臨場感が安定し集中します。

また、きれいに録音されたアコースティック音楽を聴いて、臨場感が広く深いかを確認します。深さが不足しているとしたら、スピーカーが壁に近すぎるからです。その場合は、スピーカーシステムを前に移動してみます。

## 最終調整について

あるパフォーマンスを調整するためにスピーカーシステムを動かすと、他のパフォーマンスが低下することもあります（たとえば、臨場感の精度を上げると低音の応答性が悪化するなど）。このようなときは、リスニング位置を移動してみます。低音の応答性はスピーカーシステムとリスニング位置の双方に強く影響を受けますが、臨場感はほとんどスピーカーシステムの位置だけで決まります。したがって、臨場感の調整で低音域が低下したら、リスニング位置を変更するとパフォーマンスが戻ります。

部屋の特長もサウンドに大きな影響を与えます。家具が少なく床が硬い「ライブ」な部屋は、サウンドに人工的な広がり感覚を与えますが、緻密さや正確さが低下します。家具が多く、じゅうたんやカーテンなどが多い「デッド」な部屋では、乾燥した生気のないサウンドになり、十分なサウンドレベルまでスピーカーシステムを駆動するためにはかなり多くのパワーを必要とします。つまり、その中間に最適な場所があります。硬質で仕切りのない平行な壁、特に側壁は強いフラッター型エコーを生じ、臨場感に悪影響を与えるので避けてください。カーテン、壁掛け、本棚で長い壁に仕切りを作ってみます。また、臨場感を損なわないよう、部屋のレイアウトがあまり非対称にならないようにします。

# 保証とアフターサービス

## 保証書（別添）について

保証書は、必ず「お買い上げ店名・お買い上げ日」などの記入を確かめて販売店から受け取り、内容をよく読んで大切に保存してください。

**保証期間は購入日から3年間です。**

## 補修用性能部品の最低保有期間

弊社はこの製品の補修用性能部品を製造打ち切り後、8年間保有しています。性能部品とは、その製品の機能を維持するために必要な部品です。

## 修理に関するご質問、ご相談

お買い求めの販売店へご依頼ください。また、ご転居されたりご贈答品などでお買い求めの販売店に修理のご依頼ができない場合は、修理についてのご相談窓口にご相談ください（裏表紙）。

## 連絡していただきたい内容

- ・ご住所
- ・お名前
- ・お電話番号
- ・製品名：スピーカーシステム
- ・型番
- ・お買い上げ日
- ・故障のまたは異常の内容（できるだけ具体的に）

### ■ 保証期間中は：

修理に際しては、保証書をご提示ください。保証書に記載されている当社の保証規定に基づき修理いたします。

### ■ 保証期間が過ぎているときは：

修理すれば使用できる製品については、ご希望により有料で修理いたします。



## ステレオ再生のエチケット：

ステレオの音量はあなたの心掛け次第で大きくも小さくもなります。

特に静かな夜間は小さな音でも隣近所へ通りやすいものです。夜間の音楽鑑賞には特に気を配りましょう。

## 商品名

TAD Grand Evolution One

## 型番

TAD-GE1

## 形式

3ウェイバスレフ式フロア型

## ドライブユニット

ウーファー：18 cm コーン型 × 2

ミッドレンジ/トゥイーター：

同軸 14 cm コーン型 / 3.5 cm セミドーム型

## パフォーマンスデータ

再生周波数帯域： 27 Hz ~ 100 kHz

クロスオーバー周波数： 250 Hz、1.8 kHz

最大入力： 250 W

出力音圧レベル： 88 dB (2.83 V、1 m 自由空間)

インピーダンス： 4 Ω (最小 3.6 Ω)

質量： 64 kg

## 外形寸法：

スパイク含む：

394 mm(幅) × 1240 mm(高さ) × 547 mm(奥行)

スパイクなし：

394 mm(幅) × 1212 mm(高さ) × 547 mm(奥行)

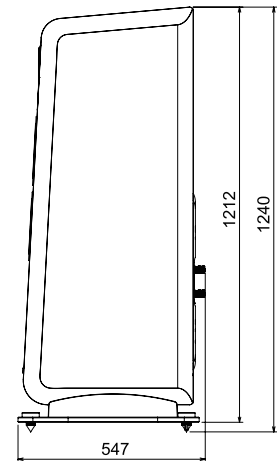
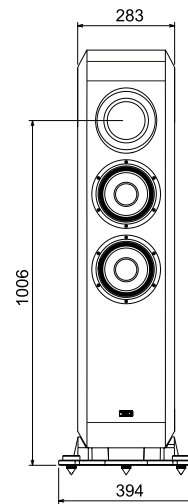
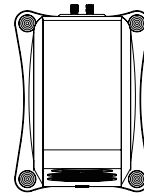
スパイク + スパイク受け：

394 mm(幅) × 1243 mm(高さ) × 547 mm(奥行)

## 付属品

- ・ オナーズマニュアル (本書) × 1
- ・ クリーニングクロス × 1
- ・ 保証書 (日本国内用)
- ・ ウーファーグリル × 2
- ・ 短絡コード × 2
- ・ コーン型スパイク × 3
- ・ スパイク受け × 3
- ・ 転倒防止スパイク × 2

本書記載の仕様および構造などの詳細は、改善のため予告なく変更することがあります。



第6図：TAD Grand Evolution One  
スピーカーシステムの外形寸法

このスピーカーシステムのキャビネットの仕上げには、天然素材が使われています。色の艶や深みなど素晴らしいものがありますが、同じ柄のあるものは2つと存在しません。この点をお含みくださり、ご使用をお願いいたします。

#### 〈各窓口へお問い合わせ時のご注意〉

「0120」で始まる電話番号は、携帯電話・PHS・一部のIP電話などからはご使用になれません。ナビダイヤルは携帯電話・PHSなどからご利用可能ですが、通話料がかかります。また、一部のIP電話などからはご使用になれません。正確なご相談対応のために折り返しお電話をさせていただくことがございますので発信者番号の通知にご協力いただきますようお願いいたします。

#### 商品についてのご相談窓口

TAD商品の取り付け・組み合わせなどについては、お買い求めの販売店様へお問い合わせください。

- 商品のご購入や取り扱い、故障かどうかのご相談窓口およびカタログのご請求について

#### パイオニアカスタマーサポートセンター TAD相談窓口

受付時間 月曜～金曜 10:00～12:00、13:00～17:00  
(土曜・日曜・祝日・パイオニアカスタマーサポートセンター休業日は除く)

【固定電話からのご利用は】 0120-995-823(無料)

※番号をよくお確かめの上でおかけいただけますようお願いいたします

#### 修理についてのご相談窓口

修理をご依頼される場合は、取扱説明書の「故障かな?と思ったら」を一度ご覧になり、故障かどうかご確認ください。それでも正常に動作しない場合は、①型名②ご購入日③故障症状を具体的に、ご連絡ください。

- お買い求めの販売店に修理の依頼が出来ない場合

#### パイオニア修理受付窓口

受付時間 月曜～金曜 10:00～12:00、13:00～17:00  
(土曜・日曜・祝日・パイオニア修理受付窓口休業日は除く)

【固定電話からのご利用は】 0120-5-81028(無料)

【携帯電話・PHSからのご利用は】 050-3820-7550 (IP電話・有料) または0570-037-610(ナビダイヤル・有料)

【ファックス】 0120-5-81029(無料)

※番号をよくお確かめの上でおかけいただけますようお願いいたします

#### 部品のご購入についてのご相談窓口

- 部品(付属品、取扱説明書など)のご購入について

#### パイオニア部品受注センター

受付時間 月曜～金曜 10:00～12:00、13:00～17:00  
(土曜・日曜・祝日・パイオニア部品受注センター休業日は除く)

【固定電話からのご利用は】 0120-5-81095(無料)

【携帯電話・PHSからのご利用は】 050-3820-7551 (IP電話・有料) または0570-057-140(ナビダイヤル・有料)

【ファックス】 0120-5-81096(無料)

#### インターネットホームページ

<https://jpn.pioneer/ja/support/purpose/parts/contact/>

※FAXでご注文の際は上記ホームページの付属品購入の流れを参照のうえ、付属品注文票をダウンロードしてご利用ください。

※番号をよくお確かめの上でおかけいただけますようお願いいたします

#### インターネットホームページ

本書以外に下記ホームページもご覧ください。

<https://tad-labs.com/jp/support/?ref=gnavi>

令和5年10月 現在 記載内容は、予告なく変更させていただくことがありますので予めご了承ください。







# TAD

TECHNICAL AUDIO DEVICES LABORATORIES, INC.

© 2023 TECHNICAL AUDIO DEVICES LABORATORIES, INC.  
All rights reserved.

© 2023 TECHNICAL AUDIO DEVICES LABORATORIES, INC.  
Tous droits de reproduction et de traduction réservés.

© 2023 株式会社 テクニカル オーディオ デバイセズ ラボラトリーズ  
禁無断転載

**株式会社 テクニカル オーディオ デバイセズ ラボラトリーズ**

〒113-0021 東京都文京区本駒込2-28-8 文京グリーンコート

<http://tad-labs.com>

**TECHNICAL AUDIO DEVICES LABORATORIES, INC.**

Bunkyo Green Court, 2-28-8, Honkomagome, Bunkyo-ku, Tokyo 113-0021, Japan

<http://tad-labs.com>

**Audio Squad AB**

S. Forstadsgatan 65 C, SE 21420, Malmo, Sweden