

TAD

TAD MICRO EVOLUTION ONE

TAD-ME1TX

SPEAKER SYSTEM
ENCEINTE ACOUSTIQUE

スピーカーシステム

OWNER'S MANUAL
MODE D'EMPLOI

取扱説明書

BEFORE YOU START

Thank you for buying this TAD product. Please read through these operating instructions so you will know how to operate your model properly. After you have finished reading the instructions, put them away in a safe place for future reference.

- This speaker system has an impedance of 4 ohms, and should be connected only to an amplifier designed with a load impedance of 4 ohms (the amplifier's speaker output connector should clearly be labeled "4 ohms").

In order to prevent damage to the speaker system resulting from input overload, please observe the following precautions:

- Do not supply power to the speaker system in excess of the maximum permissible input.
- Always turn off the amplifier power whenever connecting this unit or other components to the amplifier.
- Be careful not to overload the amplifier by playing at high sound levels, as the amplifier's harmonic distortion will be increased and you may damage the speaker.

Caution: installation

- Do not place the speaker on an unstable surface. It could present a hazard if it falls, as well as potentially damaging the equipment.
- Do not attach these speakers to the wall or ceiling. They may fall off and cause injury.
- Switch off and unplug your AV equipment and consult the instructions when connecting up components. Make sure you use the correct connecting cables.
- Technical Audio Devices, Inc. is not responsible for any accidents or damage that result from improper installation, misuse or modification of the product, or natural disasters.

Caution: in use

- Do not allow the speaker to output distorted sound for long periods of times. This is an indication of using excessive power and can result in a fire hazard.
- Do not sit or stand on the speaker, or let children play on the speaker.
- Do not put large or heavy objects on top of the speaker.
- Do not place magnetic objects such as screwdrivers or iron parts near the tweeter or midrange. Since the speakers use strong magnets, the objects may be attracted, causing injury or damaging the diaphragm.

IMPORTANT NOTICE

THE MODEL NUMBER AND SERIAL NUMBER OF THIS EQUIPMENT ARE ON THE REAR OR BOTTOM. RECORD THESE NUMBERS IN THE SPACE BELOW FOR FUTURE REFERENCE.

MODEL NO. _____

SERIAL NO. _____

D36-AP9-2_A1_En

For European model



If you want to dispose this product, do not mix it with general household waste. There is a separate collection system for used electronic products in accordance with legislation that requires proper treatment, recovery and recycling.

Private households in the member states of the EU, in Switzerland and Norway may return their used electronic products free of charge to designated collection facilities or to a retailer (if you purchase a similar new one).

For countries not mentioned above, please contact your local authorities for the correct method of disposal.

By doing so you will ensure that your disposed product undergoes the necessary treatment, recovery and recycling and thus prevent potential negative effects on the environment and human health.

K058b_A1_En

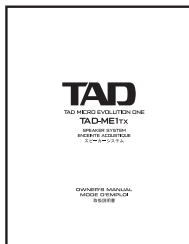
BEFORE YOU START 2
 Parts Included.....3
INTRODUCTION 4
 TAD Micro Evolution One Features.....4
INSTALLATION AND CARE 5
 Installation.....5
 Choosing Where To Place The Speakers.....6
 Speaker care6

CONNECTING THE SPEAKERS 7
 Input terminal specifications.....7
 Single-Wire Connections7
 Bi-Wire Connections8
OPTIMIZING THE SYSTEM..... 9
 Improving Bass Performance.....9
 Improving Imaging9
 Final Optimization9
SPECIFICATIONS 10

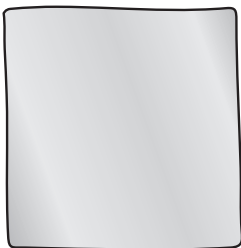
Parts Included

Check that the following items are included:

- This Owner's Manual x 1

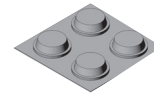


- Cleaning cloth x 1



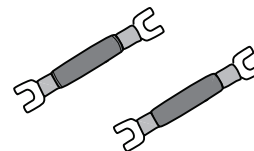
- Warranty card (This warranty is valid only in Japan.)

- Non-slip pad x 4

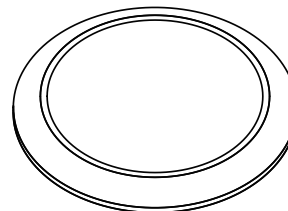


Accessory parts

- Shorting links x 2 (factory installed on speaker)



- Woofer grille x 1



WARNING

Store small parts out of the reach of children and infants. If accidentally swallowed, contact a doctor immediately.

Note

Included parts may vary slightly by region.

INTRODUCTION

Inspiring the joy of listening

Technical Audio Devices Laboratories, Inc. (TADL) grew from the spirit to discover technologies to perfectly recreate the pure sound of life performances with uncompromising craftsmanship. We have inherited our philosophy from Bart Locanthi –recognized across the globe as the ultimate sound technologist—who believed that genuine technology is true to the basic and that genuine technology places greater importance on sound quality than on technology for its own sake. At TADL, we are honing our technology to create equipment that reproduces musical sounds that evoke both the energy and impact of life music.

TAD Micro Evolution One Features

TAD-ME1 is the speaker system by using the accumulated acoustic technology in TAD's past history and advanced audio technology in order to realize the emotional sound.

1. Coaxial speaker unit with "CST^{*1} driver"

The heart of the system is the Coherent Source Transducer (CST). The tweeter diaphragm is mounted concentrically within the midrange cone and provides a point source of sound from 420 Hz to 60 kHz. It results in creating both time coherency and matched directivity between the midrange and tweeter, producing superbly-controlled radiation patterns and ensuring a perfect spectral balance between the direct and reflected sounds arriving at the listener's ears. The result is more consistent sound throughout the listening room and improved imaging capability. By mounting this unit in the perfectly shaped enclosure, the CST driver is provided with optimum conditions for producing the utmost in performance.

2. Beryllium tweeter and magnesium midrange diaphragms

The tweeter features a light-weight, highly rigid beryllium diaphragm. Utilizing our proprietary vapor-deposition process. The combination of stiffness, low mass, and high internal damping ensures that the diaphragm resonances are well controlled and placed well above the range of audibility. Ultra-smooth features have been achieved with its semi-dome shape using HSDOM^{*2}. Magnesium is utilized for the midrange diaphragm. It's combination of stiffness, low mass and durability ensure that the midrange is similarly reproduced with freedom from resonance and distortion.

3. Woofer designed with MACC^{*3} diaphragm

The woofer adopts a newly developed MACC diaphragm made of bonded woven and nonwoven fabric of highly lightweight and firm aramid fiber. This enables to realize a rich low-pitch and clear mid-range audio frequency reproduction.

4. "SILENT^{*4} Enclosure" for low resonance

The cabinet is constructed of high-rigidity Baltic birch plywood combined with MDF for high internal loss, achieving a "SILENT Enclosure" that combines high strength with low resonance. In addition, it is sandwiched from left to right by a highly dense and extremely strong, 5 mm thick structural steel plate to reduce the unnecessary resonance from the cabinet.

5. "Bi-Directional ADS^{*5} port"

The bass reflex port has been integrated into the enclosure side of the speaker. The port opening is designed as horn-shaped slits located front-back and right-left, allowing the speaker to reproduce natural and luxuriant low-frequency sound even though a compact bookshelf-type speaker design. By eliminating unnecessary noise from the port and the influence of internal standing waves, the speaker produces clear bass sound with excellent response.

^{*1} CST: Coherent Source Transducer

^{*2} HSDOM: Harmonized Synthetic Diaphragm Optimum Method

^{*3} MACC: Multi-layered Aramid Composite Cone

^{*4} SILENT: Structurally Inert Laminated Enclosure Technology

^{*5} Bi-Directional ADS: Bi-Directional Aero-Dynamic Slot

Precautions regarding the installation location

Avoid excessively humid and or dry environments and environments with sudden temperature changes. Such conditions may result in shrinkage of the wood materials and finish, leading to deformation of the enclosure, discoloration, or damage to the speakers.

Avoid installing this unit in the following locations:

- Places exposed to direct sunlight
- Places near heating devices
- Places directly under an air conditioner or where the unit is exposed directly to blowing air
- Places with poor ventilation and a lot of humidity and dust

Conditions considered unpleasant by humans are detrimental to speakers as well. Providing a comfortable environment for the speakers will assist them in demonstrating their best performance. Please maintain the usage environment as follows:

Temperature: 15 °C to 25 °C (59 °F to 77 °F)

Relative Humidity: 35 % to 65 % (winter)
40 % to 70 % (summer)

Precautions during installation

- The total weight of this speaker system is 21 kg (46 lbs). Before installing, confirm that the installation location is fully capable of supporting this weight
- Due to the weight involved, taking care not to pinch fingers between the speaker and other objects, and preventing the speaker system from falling.
- Avoid touching the front surface of speaker units, since you may deform or damage the enclosure mesh or speaker diaphragms.

Installation using speaker stands (sold separately)

This speaker system has been designed as a “bookshelf” type speaker. As a result, when mounted directly on the floor, bass sounds may be amplified as a result of reflection from the floor surface, potentially creating unpleasant listening effects. In such cases, a speaker stand can be used to elevate the speaker from the floor surface. In general, optimum performance will be produced by mounting the speaker system so that the high-range speakers (tweeters) are roughly at the listener’s ear level. In addition, to prevent dangerous tipping or falls, be sure to use screws to fix the speaker system in place. We recommend the use of the speaker stand TAD-ST3TX for this purpose. For details consult the TAD-ST3TX user manual.

● Dedicated Speaker Stand TAD-ST3TX (sold separately)

To elicit the best possible performance from the TAD Micro Evolution One speaker system, TAD has simultaneously engineered the dedicated speaker stand TAD-ST3TX (sold separately). These stands have been optimized to assure high damping characteristics and stable barycentric positioning. Install TAD-ST3TX as it is, without the non-slip pads.

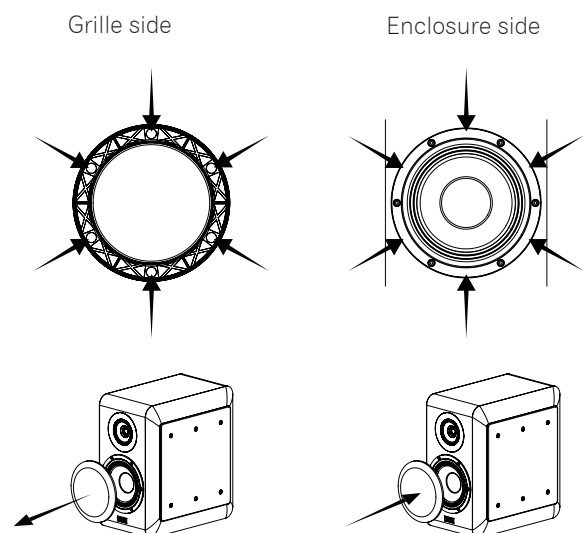
Installing and removing the woofer grille

This unit comes with a woofer grille that is magnetically attached. Magnets are embedded at six locations as shown in the figure below.

How to install: Install the woofer grille so that the magnets are positioned as shown in the figure below.

How to remove: Pull the grille toward you to remove it as shown in the figure below.

Please remove the woofer grille when using or cleaning this speaker system. Also, if you apply horizontal force while it is attached, the grille may fall.



Installation

Installation on floor or rack

Attach the non-slip pads provided with the unit to the bottom of the speaker in four places.

Choosing Where To Place The Speakers

Speaker placement within the listening room will have a great impact upon the total performance of the unit in terms of bass performance, tonal accuracy, and imaging. All rooms are different and so this section is intended as a guide only. Experimentation in your room will yield optimum results.

Begin by placing the rear of the speakers approximately one to two feet in from the front walls and the sides one to two feet in from the side walls of your listening room, as shown in Figure 1. Your listening position should be roughly equal to the distance between the two speakers. Also, turn the speakers inward so each axis points toward the listening position.

Next, connect the audio system as described in *CONNECTING THE SPEAKERS* on page 7. Then, optimize the speaker placement as described in *OPTIMIZING THE SYSTEM* on page 9.

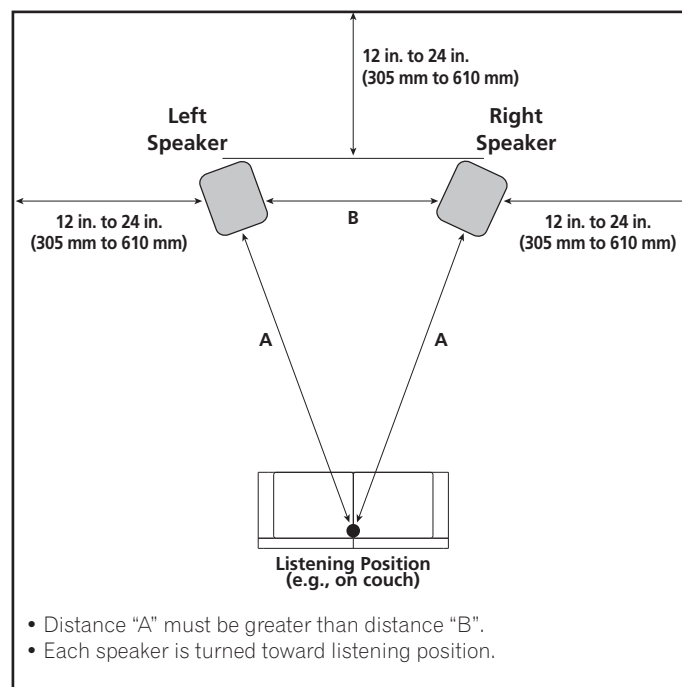


Figure 1. Placement of a pair of speakers for stereo music listening

Speaker care

The unit is crafted with a painted finish. Wipe the cabinet surface gently with the accessory cleaning cloth to remove dust and fingerprints.

CAUTION

- When dusting the cabinet, do not use cleansers, abrasives or chemically impregnated cloths.
- Contact with alcohol, benzene, insecticides or other chemicals may cause peeling or discoloration of the finished surface.

⚠ CAUTION

- When connecting speakers or other components, always turn off the power to the amplifier, and disconnect the power cord.
- Speaker cables are not furnished with this speaker system, and must be purchased separately.
- After connecting the speakers, gently pull on the speaker cables to confirm that each cable wire is connected securely to its respective terminal. Loose connections may result in interrupted sound or noise.
- Do not allow wires from one connector or cable to touch those from another, since excessive load may be applied to the amplifier, causing the amplifier to stop operating or be damaged.
- If the polarity (+/-) of either right or left speaker is mistakenly reversed when connected to the amplifier, the speakers will be unable to produce proper stereo phase effect.

Input terminal specifications

This speaker system is provided with LF (Low-Frequency) input terminals for the woofer, and HF (High-Frequency) input terminals for CST (Coherent Source Transducer) connections.

Single-Wire Connections

When adopting single-wire connections, use the furnished accessory shorting links to connect the LF input terminals (for woofer) to the HF input terminals (for CST).

Use the shorting links to connect the upper/lower HF input terminals to the upper/lower LF input terminals as shown in Figure 2, then connect the positive (+) speaker wire from the amplifier to either of the speaker's red connector terminals, and the negative (-) speaker wire from the amplifier to either of the speaker's black connector terminals.

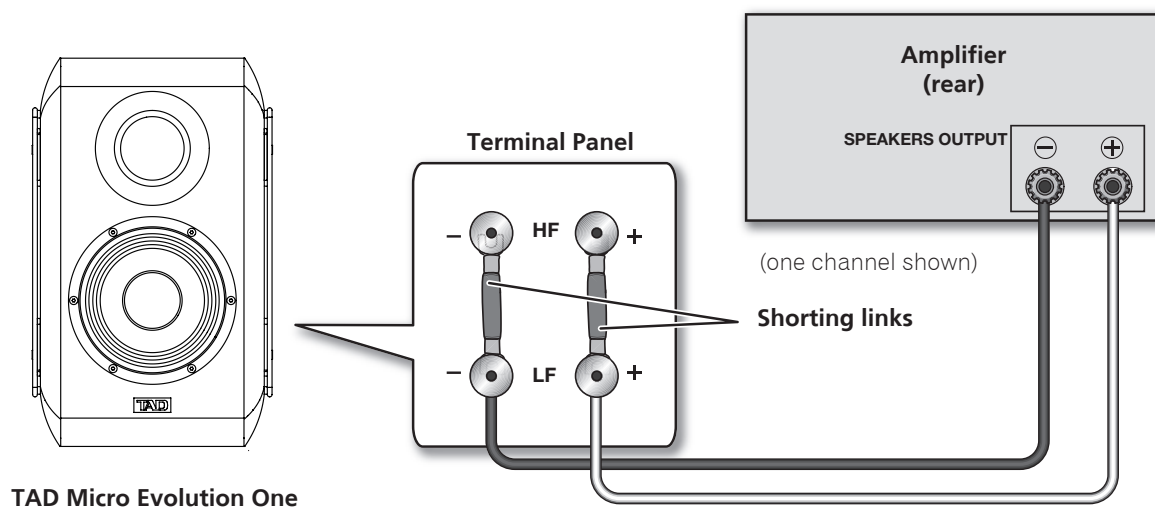


Figure 2. Connecting a speaker in a single-wired system

Bi-Wire Connections

When adopting bi-wire connections, the speaker cables from the amplifier are connected individually to the LF input terminals (for woofer) and the HF input terminals (for CST).

Connect one set of speaker cables to the LF input terminals (for woofer). Then, connect the other set of speaker cables to the HF input terminals (for CST). Finally, connect the respective speaker cables in pairs to the amplifier's speaker terminals.

Take care to connect both (+) wires to the (+) amplifier terminals and both (-) to the (-) amplifier terminals, as shown in Figure 3.

CAUTION

- Remove the shorting links before connecting speaker cables in bi-wiring connections.

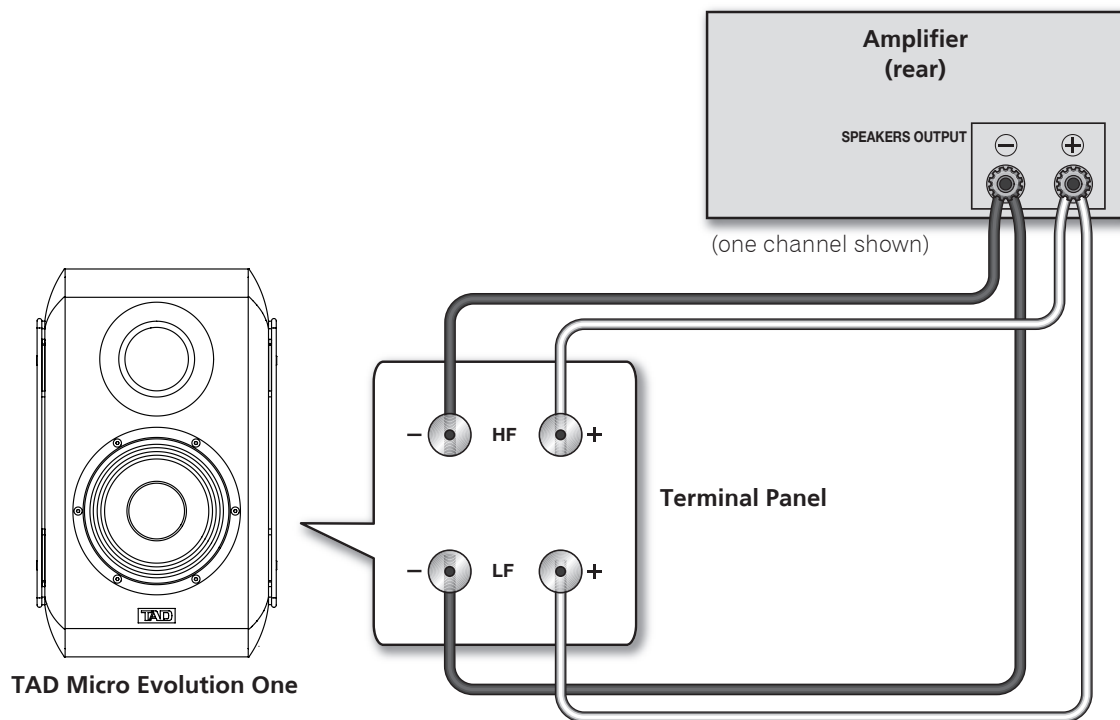


Figure 3. Connecting a speaker in a bi-wired system

Improving Bass Performance

Select a music track with well-recorded bass, such as acoustic string bass. Listen for all the bass notes having roughly equal level. If any notes jump out at you more strongly than others, try moving the speaker system until you get the most even progression of the notes.

Typically, moving them towards the walls will increase low bass output, but can result in more unevenness higher up the musical scale. Moving them closer to the side walls will not produce the same effect as moving closer to the back wall, so try experimenting moving both ways for the most pleasing sound.

Also listen to drum sounds. The kick drum should sound tight and fast, without low-frequency boom. Changes in speaker position of as little as a few inches can have a large effect upon bass performance, so take time and try many positions.

A useful tip to speed up the process is to have a partner move around the room while talking. Listen to where the voice sounds most natural, without added chestiness, and position the speaker system in that location.

Improving Imaging

Now select music with a strong center image. Listen for that image to be exactly centered between the speakers, and to be well-focused. If the image is unclear and spreads wide, the side walls are probably creating strong reflections. Try moving the speakers closer together to reduce this effect. If this brings them too close, try instead toeing in the speakers so that the axis crosses in front of the listening position. Because of the superior off-axis performance of the CST driver, the strength of the side-wall reflections will be reduced, and at the same time, the image will be stabilized and focused.

Now listen to music with well-recorded acoustics. Check that the image is wide and deep. Limited depth suggests that the speakers are placed too close to the front wall. Try moving them forward.

Final Optimization

You may find that as you move the speakers to optimize one aspect of performance another worsens; for example, trading improved image accuracy for poorer bass response. If this occurs, try moving your listening position. Bass response is governed strongly by both speaker and listening positions, whereas imaging is mostly determined by the speaker position. Therefore, you may find that if optimizing for imaging compromises bass, then changing the listening position will bring back bass performance.

The room characteristics will also have a profound influence upon the sound. *Live* rooms, with few soft furnishings and hard floors, will impart an artificial sense of spaciousness to the sound but reduce the intimacy and accuracy. Overly *dead* rooms, with lots of furnishing, carpets, and drapes will produce a very dry, lifeless sound and require lots more power to drive the speaker system to adequate sound levels. The optimum is somewhere in-between. Avoid hard, unbroken, parallel walls, especially side walls, as these impart strong flutter-type echoes and will have a bad influence on the imaging. Try and break up long expanses of walls with drapes, wall hangings, or bookshelves, and try not to introduce too much asymmetry into the room layout, as this will also affect the imaging.

SPECIFICATIONS

Model Name

TAD Micro Evolution One

Model No.

TAD-ME1TX

Design

Bass reflex, bookshelf-type speaker

Drive units

Bass driver 16 cm (6 1/2 in.) cone

Midrange/Tweeter

..... concentric 9 cm (3 1/2 in.) cone/ 2.5 cm (1 in.) semi-dome

Performance Data

Frequency Range.....36 Hz to 60 kHz

Crossover Frequencies..... 420 Hz, and 2.5 kHz

Maximum input power 150 W

Sensitivity85 dB @ 2.83 V and 1 m (anechoic conditions)

Impedance 4 ohms

Physical Data

Weight 21 kg (46 lbs)

Dimensions

Width 254 mm (10 in.)

Height 411 mm (16 3/16 in.)

Depth 402 mm (15 13/16 in.)

Supplied accessories

- This Owner's Manual x 1
- Cleaning cloth x 1
- Warranty card (This warranty is valid only in Japan.)
- Non-slip pad x 4
- Woofer grille x 1
- Shorting links x 2

Note

Included parts may vary slightly by region.

The specifications and construction details in this and related TAD publications are subject to change without notice. The TAD logo is a registered trademark of Technical Audio Devices, Inc.

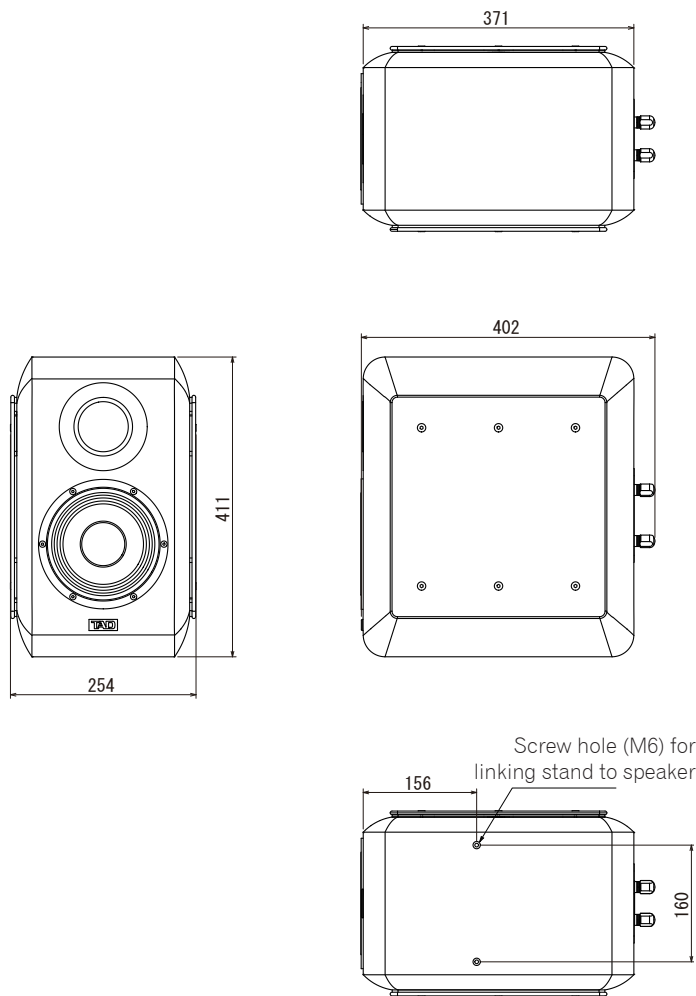


Figure 6. Overall dimensions of the TAD Micro Evolution One speaker system

The Safety of Your Ears is in Your Hands

Get the most out of your equipment by playing it at a safe level – a level that lets the sound come through clearly without annoying blaring or distortion and, most importantly, without affecting your sensitive hearing. Sound can be deceiving. Over time, your hearing “comfort level” adapts to higher volumes of sound, so what sounds “normal” can actually be loud and harmful to your hearing. Guard against this by setting your equipment at a safe level BEFORE your hearing adapts.

ESTABLISH A SAFE LEVEL:

- Set your volume control at a low setting.
- Slowly increase the sound until you can hear it comfortably and clearly, without distortion.
- Once you have established a comfortable sound level, set the dial and leave it there.

BE SURE TO OBSERVE THE FOLLOWING GUIDELINES:

- Do not turn up the volume so high that you can't hear what's around you.
- Use caution or temporarily discontinue use in potentially hazardous situations.
- Do not use headphones while operating a motorized vehicle; the use of headphones may create a traffic hazard and is illegal in many areas.

S001a_A1_En

AVANT DE COMMENCER

Nous vous remercions d'avoir acheté ce produit TAD. Veuillez lire attentivement ce mode d'emploi de manière à pouvoir utiliser votre modèle correctement. Après avoir lu ces explications, conservez-les en lieu sûr pour éventuellement les consulter plus tard.

- Cette enceinte acoustique à une impédance de 4 ohms et elle doit être raccordée uniquement à un amplificateur conçu en vue d'une impédance de charge de 4 ohms (le connecteur de sortie haut-parleur sur l'amplificateur doit être clairement étiqueté "4 ohms").

Pour éviter d'endommager les enceintes par une surcharge à l'entrée, observez les précautions suivantes :

- Ne fournissez pas aux enceintes acoustiques une alimentation électrique dépassant l'entrée maximale autorisée.
- Coupez toujours l'alimentation de votre amplificateur avant d'y brancher cet appareil ou d'autres composants.
- Veillez à ne pas surcharger l'amplificateur en utilisant un niveau sonore élevé, car la distorsion harmonique de l'amplificateur augmentera et vous risquez d'endommager l'enceinte.

Précautions : Installation

- Ne placez pas l'enceinte sur une surface instable. En tombant, elle pourrait entraîner des blessures et être endommagée.
- Ne fixez pas ces enceintes sur une paroi ou au plafond. Elles pourraient tomber et provoquer des blessures.
- Mettez votre système audiovisuel hors tension et débranchez-le, puis consultez le mode d'emploi avant de brancher des composants. Prenez soin d'utiliser correctement les cordons de raccordement.
- Technical Audio Devices, Inc. n'assume aucune responsabilité en cas d'accidents ou de dégâts, résultant d'une installation inappropriée, d'une erreur d'utilisation, d'une altération du produit ou de catastrophes naturelles.

Précautions : Utilisation

- Ne permettez pas que l'enceinte produise des sons distordus pendant une longue période. Ceci serait le signe de l'emploi d'une puissance excessive qui pourrait provoquer un incendie.
- Ne montez pas et ne vous asseyez pas sur les enceintes et ne laissez pas des enfants jouer sur celles-ci.
- Ne posez pas d'objets lourds ou volumineux sur le dessus des enceintes.
- Ne placez pas d'objets magnétiques tels que des tournevis ou des pièces en fer près du tweeter ou du médium. Comme ces haut-parleurs utilisent des aimants puissants, ces objets pourraient y être attirés, provoquant des dégâts aux haut-parleurs ou endommageant leur diaphragme.

Pour le modèle européen



Si vous souhaitez vous débarrasser de cet appareil, ne le mettez pas à la poubelle avec vos ordures ménagères. Il existe un système de collecte séparé pour les appareils électroniques usagés, qui doivent être récupérés, traités et recyclés conformément à la législation.

Les habitants des états membres de l'UE, de Suisse et de Norvège peuvent retourner gratuitement leurs appareils électroniques usagés aux centres de collecte agréés ou à un détaillant (si vous rachetez un appareil similaire neuf).

Dans les pays qui ne sont pas mentionnés ci-dessus, veuillez contacter les autorités locales pour savoir comment vous pouvez vous débarrasser de vos appareils.

Vous garantirez ainsi que les appareils dont vous vous débarrassez sont correctement récupérés, traités et recyclés et préviendrez de cette façon les impacts néfastes possibles sur l'environnement et la santé humaine.

K058b_A1_Fr

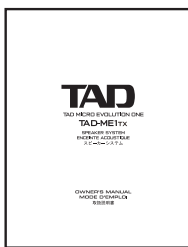
AVANT DE COMMENCER 2
 Pièces fournies 3
INTRODUCTION 4
 Particularités de la TAD Micro Evolution One 4
INSTALLATION ET SOINS 5
 Installation..... 5
 Choix d'un emplacement pour les enceintes 6
 Entretien des enceintes 6
CONNEXION DES ENCEINTES..... 7
 Spécifications de borne d'entrée 7

Connexions en mono-câblage 7
 Connexions en bi-câblage..... 8
OPTIMISATION DU SYSTÈME 9
 Amélioration des performances de graves 9
 Amélioration de l'imagerie 9
 Optimisation finale 9
FICHE TECHNIQUE 10

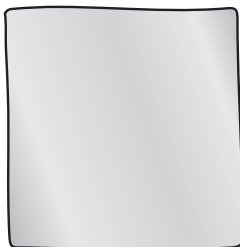
Pièces fournies

Assurez-vous que les articles suivants sont inclus :

- Ce mode d'emploi x 1

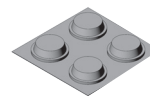


- Chiffon de nettoyage x 1



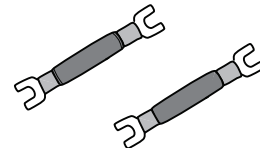
- Carte de garantie
 (Cette garantie est valable uniquement au Japon.)

- Patin antidérapant x 4

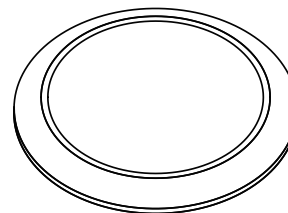


Pièces accessoires

- Fiches coupe-circuit x 2 (installées en usine sur les enceintes)



- Grille de woofer x 1



⚠ AVERTISSEMENT

Gardez les pièces de petite taille hors de la portée des bébés et des enfants.

En cas d'ingestion accidentelle, veuillez contacter immédiatement un médecin.

📝 Remarque

Les pièces fournies varient légèrement selon les régions.

INTRODUCTION

Inspirer les joies de l'écoute

Technical Audio Devices Laboratories, Inc. (TADL) est issu du désir de recréer le son pur des représentations en direct par des artisans, refusant tout compromis. Nous avons hérité notre philosophie de Bart Locanthi, reconnu dans le monde entier comme le technicien du son par excellence. Il était convaincu que la technologie véritable consiste à être fidèle aux éléments fondamentaux et que la véritable technologie accorde plus d'importance à la qualité sonore qu'à la technologie proprement dite. Chez TADL, nous peaufinons nos technologies afin de proposer des équipements qui reproduisent les sons, évoquant à la fois l'énergie et l'impact de la musique en direct.

Particularités de la TAD Micro Evolution One

La TAD-ME1 est une enceinte réalisée en faisant appel à la technologie acoustique accumulée dans le passé et à la technologie audio la plus moderne afin de restituer des sons débordant d'émotion.

1. Haut-parleur coaxial à "CST"^{*1} driver"

Le cœur du système est ce qu'on appelle le Coherent Source Transducer (CST). Le diaphragme du tweeter est installé de façon concentrique au sommet du cône du médium et il fournit une source ponctuelle de sons, allant de 420 Hz à 60 kHz. Il parvient à créer à la fois une cohérence temporelle et une directivité correspondante dans le médium et le tweeter, produisant des diagrammes directionnels magnifiquement contrôlés et assurant un parfait équilibre du spectre entre les sons directs et réfléchis, arrivant aux oreilles de l'auditeur. Il en résulte des sons plus consistants dans tout le local d'écoute et une imagerie améliorée. En installant cet appareil dans un coffret aux formes parfaites, le pilote CST remplit les conditions optimales pour restituer les meilleures performances possibles

2. Tweeter en béryllium et diaphragmes médium en magnésium

Le tweeter se caractérise par son diaphragme léger et très rigide en béryllium. Utilisation de notre procédé de dépôt en phase vapeur. L'association de rigidité, de légèreté et d'un fort amortissement interne garantit que les résonances du diaphragme sont bien contrôlées et placées bien au-dessus de la plage d'audibilité. Des caractéristiques extrêmement fluides ont été obtenues avec cette forme de semi-dôme grâce à HSDOM^{*2}. Du magnésium est utilisé pour le diaphragme du médium. La combinaison de rigidité, de légèreté et de durabilité fait en sorte que la plage du médium est restituée en étant exempte de résonance et de distortion.

3. Woofer conçu avec diaphragme MACC^{*3}

Le haut-parleur de graves adopte un diaphragme MACC nouvellement développé, fabriqué en tissu tissé et non tissé lié, composé de fibre aramide extrêmement légère et ferme. Cela permet de réaliser une reproduction des fréquences audio riche pour les graves et claire en milieu de plage.

4. "Boîtier SILENT"^{*4} pour une faible résonance

Le coffret est réalisé en contreplaqué de bouleau de la Baltique très rigide, associé à des panneaux MDF en vue d'une forte perte interne ; on parvient ainsi à un "Boîtier SILENT" qui associe forte robustesse et faible résonance. De plus, il est enserré de gauche à droite par une plaque en acier profilé de 5 mm d'épaisseur très dense et extrêmement robuste pour réduire la résonance inutile provenant du boîtier.

5. Port "Bi-Directional ADS"^{*5} (ADS bi-directionnel)

Le port bass-réflex a été intégré dans le panneau latéral de l'enceinte. L'ouverture de l'évent a la forme de fentes en cornet, situées en avant-arrière et en gauche-droite, ce qui permet à l'enceinte de reproduire des sons de basse fréquence naturels et luxuriants, alors même qu'un design compact de type bibliothèque a été adopté. En éliminant les bruits superflus du port et l'influence des ondes stationnaires internes, l'enceinte produit des sons graves clairs avec une réponse excellente.

^{*1} CST : Coherent Source Transducer

(Transducteur de Source Cohérente)

^{*2} HSDOM : Harmonized Synthetic Diaphragm Optimum Method
(Méthode optimale de diaphragme synthétique harmonisé)

^{*3} MACC : Multi-layered Aramid Composite Cone
(Cône composite aramide à plusieurs couches)

^{*4} SILENT : Structurally Inert Laminated Enclosure Technology
(Technologie de coffret laminé structurellement inerte)

^{*5} Bi-Directional ADS : Bi-Directional Aero-Dynamic Slot
(Fente aérodynamique bi-directionnelle)

⚠ Précautions relatives à l'endroit d'installation

Évitez les environnements excessivement secs et humides ainsi que les environnements affectés par des changements soudains de température. Un tel endroit pourrait provoquer une contraction des parties en bois et de la finition, entraînant une déformation du coffret, sa décoloration ou des dégâts aux haut-parleurs.

Évitez d'installer ce dispositif dans les lieux suivants :

- Les endroits exposés à la lumière directe du soleil
- Près d'appareils de chauffage
- Directement sous un climatiseur où dans un lieu où l'appareil est exposé directement à une soufflerie d'air
- Les lieux mal aérés envahis par l'humidité et la poussière

Des situations considérées comme désagréables pour les êtres humains seront nuisibles également pour les enceintes. Fournir aux enceintes un environnement confortable leur permettra de déployer leurs meilleures performances. Essayez de maintenir l'environnement suivant lors du fonctionnement :

Température : de 15 °C à 25 °C

Humidité relative : de 35 % à 65 % (hiver)
de 40 % à 70 % (été)

⚠ Précautions pendant l'installation

- Le poids total de cette enceinte est de 21 kg. Avant de l'installer, assurez-vous que l'endroit est capable de supporter un tel poids.
- En raison du poids, faites attention à ne pas pincer vos doigts entre le haut-parleur et d'autres objets et empêchez le système de haut-parleur de tomber.
- Évitez de toucher la face avant des haut-parleurs, car vous pourriez déformer ou endommager leur matériau à mailles ou leur diaphragme.

Installation

Installation sur le plancher ou dans un rack

Fixez les coussinets antidérapants fournis avec l'appareil au bas du haut-parleur à quatre endroits.

Installation avec socles d'enceinte (vendus séparément)

Cette enceinte est du type "bibliothèque" par conséquent, lorsqu'elle est placée directement sur le plancher, les sons graves peuvent être amplifiés par la surface du plancher, ce qui risque de créer des effets désagréables à l'écoute. Dans ce cas, utilisez un socle pour soulever l'enceinte par rapport à la surface du plancher. En règle générale, les meilleures performances seront obtenues en montant l'enceinte de telle sorte que les haut-parleurs médium (tweeters) se trouvent pratiquement au niveau des oreilles de l'auditeur. En outre, pour éviter que l'enceinte ne tombe ou ne se renverse, veillez à utiliser des vis pour l'immobiliser. Pour cela, nous recommandons l'emploi du socle d'enceinte TAD-ST3TX. Pour plus de détails, consultez le mode d'emploi qui accompagne le TAD-ST3TX.

● Socle d'enceinte dédié TAD-ST3TX (vendu séparément)

Pour déployer toutes les performances de l'enceinte TAD Micro Evolution One, TAD a réalisé simultanément le socle dédié TAD-ST3TX (vendu séparément). Ces socles sont optimisés pour procurer de hautes caractéristiques d'amortissement et un positionnement barycentrique stable. Installez le TAD-ST3TX tel quel, sans les patins antidérapants.

Installing and removing the woofer grille

Cet appareil est livré avec une grille de haut-parleur de graves fixée magnétiquement. Les aimants sont intégrés à six emplacements comme le montre la figure ci-dessous.

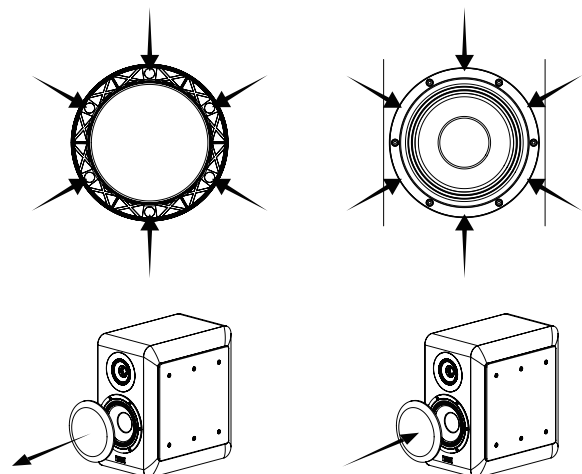
Installation : Comme indiqué sur la figure ci-dessous, installez de façon à ce que la position de l'incorporation de l'aimant sur le dos de la grille soit orientée verticalement et horizontalement.

Retrait : Tirez la grille vers vous pour la retirer comme indiqué sur la figure ci-dessous.

Veillez retirer la grille du woofer lors de l'utilisation ou du nettoyage du système de haut-parleur. La grille peut tomber si vous exercez une force horizontale dessus lorsqu'elle est attachée.

Profil de la grille

Profil de l'enceinte



Choix d'un emplacement pour les enceintes

L'emplacement des enceintes dans votre salle d'écoute aura une grande répercussion sur les qualités d'ensemble des enceintes l'unité en terme de performances des graves, d'imagerie sonore et de précision tonale. Tous les locaux sont différents et cette section ne peut donc prétendre qu'à servir de guide. C'est en procédant à diverses expérimentations que vous obtiendrez les meilleurs résultats.

Placez d'abord l'arrière des enceintes à environ 1 ou 2 pieds des parois avant et leur côté à 1 ou 2 pieds des parois latérales de votre local d'écoute, comme illustré sur la Figure 1. Votre position d'écoute doit être à une distance presque égale à celle qui sépare les deux enceintes. De plus, orientez les enceintes vers l'intérieur de sorte que leur axe soit dirigé vers la position d'écoute.

Ensuite, raccordez la chaîne audio comme expliqué sous *CONNEXION DES ENCEINTES* à la page 7. Puis, optimisez l'emplacement des enceintes comme décrit sous *OPTIMISATION DU SYSTÈME* à la page 9.

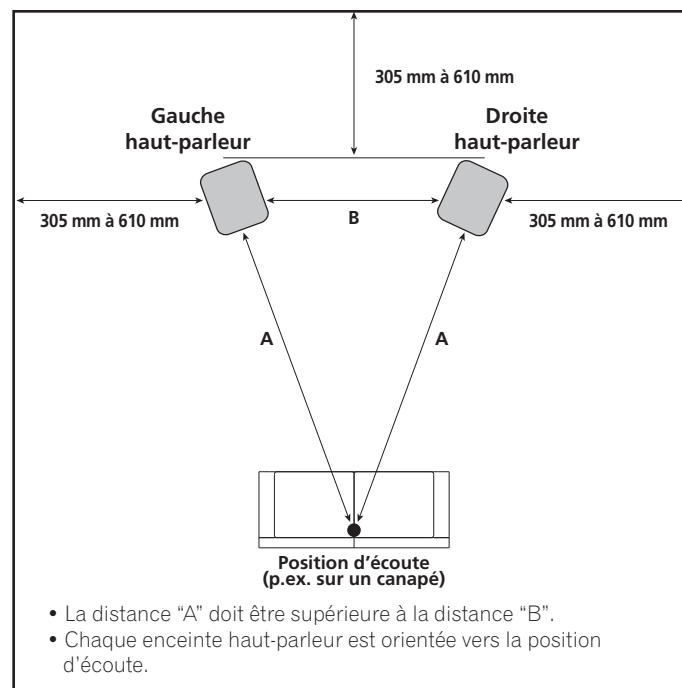


Figure 1. Emplacement d'une paire d'enceintes pour une écoute en stéréo

Entretien des enceintes

L'enceinte l'unité est embellie grâce à une finition peinte. Frottez délicatement la surface du coffret avec le chiffon de nettoyage fourni comme accessoire pour en enlever la poussière et les traces de doigts.

⚠ ATTENTION

- Pour nettoyer le coffret, n'utilisez pas de produits détergents, d'abrasifs ou de chiffons chimiquement traités.
- Un contact avec de l'alcool, du benzène, des insecticides et d'autres produits chimiques peut provoquer un écaillage ou une décoloration de la finition de la surface.

⚠ ATTENTION

- Avant de brancher les enceintes ou d'autres composants, mettez toujours l'amplificateur hors tension et débranchez son cordon d'alimentation.
- Les câbles d'enceintes ne sont pas fournis avec cet appareil et ils doivent donc être achetés séparément.
- Après avoir branché les enceintes, tirez doucement sur leurs câbles pour confirmer que chacun d'eux est convenablement branché sur sa borne respective. Des connexions relâchées peuvent provoquer une interruption des sons ou des parasites.
- Ne permettez pas que les fils d'un connecteur ou d'un câble touchent ceux d'un autre, car une charge excessive pourrait être appliquée à l'amplificateur, provoquant l'arrêt de son fonctionnement ou des dégâts.
- Si la polarité (+/-) de l'enceinte gauche ou droite est inversée par erreur lors de la connexion à l'amplificateur, les enceintes ne parviendront pas à produire l'effet stéréo adéquat.

Spécifications de borne d'entrée

Cette enceinte est dotée de bornes d'entrée LF (basse fréquence) pour le woofer et de bornes d'entrée HF (haute fréquence) pour le branchement du CST (Transducteur de Source Cohérente).

Connexions en mono-câblage

Pour des connexions unifilaires, utilisez les fiches coupe-circuit fournies comme accessoires pour raccorder les bornes d'entrée LF (pour woofer) aux bornes d'entrée HF (pour CST). Utilisez les fiches coupe-circuit pour raccorder les bornes d'entrée HF supérieure/inférieure aux bornes d'entrée LF supérieure/inférieure, comme illustré à la Fig. 2 ; raccordez ensuite le fil de haut-parleur positif (+) provenant de l'amplificateur à une des bornes de connexion rouges du haut-parleur, et le fil de haut-parleur négatif (-) provenant de l'amplificateur à une des bornes de connexion noires du haut-parleur.

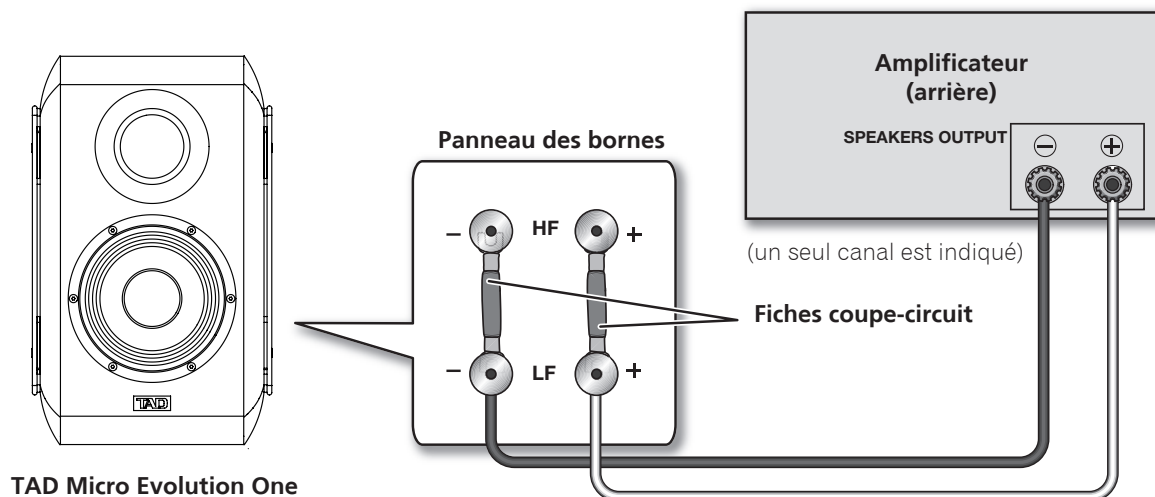


Figure 2. Connexion d'une enceinte en un circuit unifilaire

Connexions en bi-câblage

Pour des connexions bifilaires, les câbles de haut-parleur provenant de l'amplificateur sont raccordés individuellement sur les bornes d'entrée LF (pour woofer) et sur les bornes d'entrée HF (pour CST).

Raccordez un jeu de câbles de haut-parleur sur les bornes d'entrée LF (pour woofer). Ensuite, raccordez l'autre jeu de câbles de haut-parleur sur les bornes d'entrée HF (pour CST). En dernier lieu, raccordez les câbles de haut-parleur respectif par paires sur les bornes de haut-parleur de l'amplificateur.

Prenez bien soin de raccorder les deux câbles (+) sur les bornes (+) de l'amplificateur et les deux câbles (–) sur les bornes (–) de l'amplificateur, comme illustré sur la Figure 3.

ATTENTION

- Déposez les fiches coupe-circuit avant de raccorder les câbles d'enceintes en connexions bi-filaires.

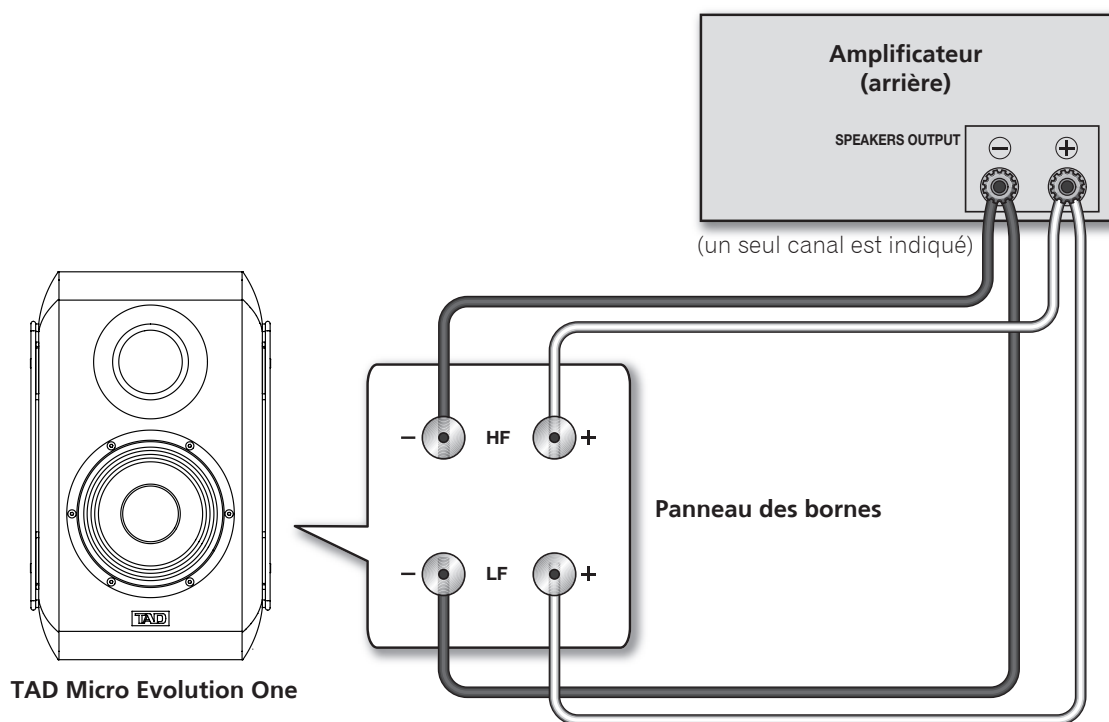


Figure 3. Connexion d'une enceinte en un circuit bi-filaire

Amélioration des performances de graves

Choisissez une plage musicale comportant des sons graves bien enregistrés, tels que par une basse acoustique. Ecoutez toutes les notes graves ayant un niveau presque égal. Si des notes ressortent plus fortement que d'autres, essayez de déplacer l'enceinte de manière à obtenir la progression des notes la plus égale possible.

Normalement, un déplacement des enceintes vers les parois augmentera la sortie des graves, mais cela peut aussi produire une inégalité dans le haut de l'échelle musicale. Rapprocher les enceintes des parois latérales produira le même effet que de les rapprocher de la paroi arrière ; essayez donc de trouver les sons les plus agréables en les déplaçant dans les deux sens.

Ecoutez aussi les sons de tambours. La grosse caisse doit donner un son net et rapide, sans montée dans les basses fréquences.

Des changements, même minimes, dans la position de l'enceinte peuvent avoir un effet considérable sur les performances des graves ; prenez donc votre temps pour déterminer leur position.

Un bon conseil pour accélérer ces ajustements ? Demandez à quelqu'un de se déplacer en parlant dans le local d'écoute.

Recherchez l'endroit où les sons de la voix sont les plus naturels, sans écho ajouté, et disposez l'enceinte à cet endroit.

Amélioration de l'imagerie

Sélectionnez à présent une musique ayant une forte image centrale. À l'écoute, faites en sorte que cette image soit centrée exactement entre les deux enceintes et bien convergente. Si l'image manque de précision et s'élargit, il est probable que les parois latérales créent de forts reflets sonores. Essayez de rapprocher davantage les enceintes pour réduire cet effet. Si elles sont trop rapprochées, essayez plutôt d'orienter légèrement les enceintes pour que leur axe se croise devant la position d'écoute.

En raison des performances supérieures du CTS en position désaxée, l'intensité des reflets sonores des parois latérales sera réduite, tandis que l'image sera stabilisée et mieux focalisée.

Ecoutez ensuite de la musique dont l'acoustique est bien enregistrée. Assurez-vous que l'image est large et profonde. Une profondeur limitée fait penser que les enceintes sont placées trop près de la paroi avant. Essayez en les déplaçant vers l'avant.

Optimisation finale

Vous constaterez peut-être qu'en déplaçant vos enceintes pour optimiser un aspect, vous en détériorez un autre ; par exemple, vous améliorez la précision d'image au détriment de la réponse des graves. Si c'est le cas, essayez de déplacer votre position d'écoute. La réponse des graves est fortement tributaire à la fois de la position d'écoute et de celle des enceintes, tandis que l'imagerie est surtout déterminée par la position des enceintes. Par conséquent, vous remarquerez peut-être que si l'optimisation de l'image compromet les graves, un changement de la position d'écoute rétablira la qualité de la performance des graves.

Les caractéristiques du local d'écoute auront aussi un impact profond sur les sons. Des pièces *Live* avec peu de mobilier moelleux et un plancher dur transmettront aux sons un sentiment artificiel d'ampleur, mais elles réduiront l'intimité et l'exactitude. En revanche, des pièces *éteintes*, regorgeant de mobilier, de moquette et de tentures produiront des sons desséchés et sans vie et elles nécessiteront bien plus de puissance pour entraîner les haut-parleurs à des niveaux sonores adéquats. L'idéal se trouve quelque part entre les deux. Évitez des parois parallèles et uniformes, surtout les parois latérales, car elles transmettent de forts échos flottants et elles exerceront une mauvaise influence sur l'imagerie. Essayez de couper les longues surfaces murales au moyen de tentures, draperies ou étagères et évitez une trop grande symétrie dans l'agencement de la pièce car ceci affectera également l'imagerie.

FICHE TECHNIQUE

Nom de modèle

TAD Micro Evolution One

No. de modèle

TAD-ME1TX

Conception

Enceinte bass-réflex, de type bibliothèque

Haut-parleurs

Haut-parleur de graves Cône de 16 cm
Médium/Tweeter
..... Cône concentrique de 9 cm / Semi-dôme de 2,5 cm

Données sur performances

Plage de fréquences.....36 Hz à 60 kHz
Fréquences de recouvrement.....420 Hz et 2,5 kHz
Puissance d'entrée maximale 150 W
Sensibilité.....85 dB @ 2,83 V et 1 m (conditions anéchoïques)
Impédance 4 ohms

Données physiques

Poids.....21 kg
Dimensions
Largeur254 mm
Hauteur.....411 mm
Profondeur402 mm

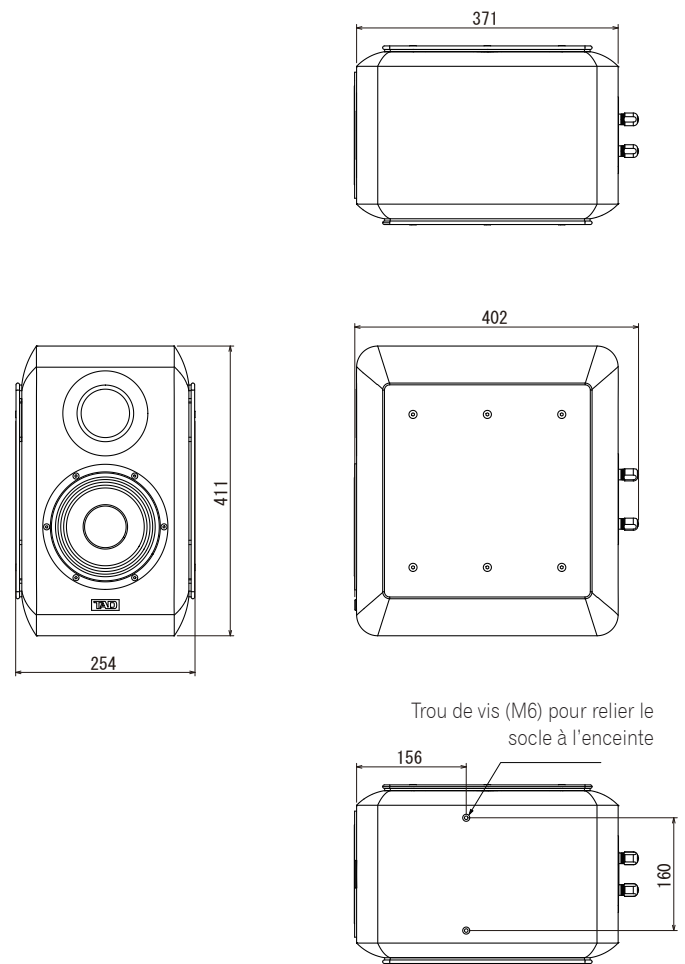
Accessoires fournis

- Ce mode d'emploi x 1
- Chiffon de nettoyage x 1
- Carte de garantie
(Cette garantie est valable uniquement au Japon.)
- Patin antidérapant x 4
- Grille de woofer x 1
- Fiches coupe-circuit x 2

Remarque

Les pièces fournies varient légèrement selon les régions.

Les spécifications et les détails de construction dans ce document et les publications relatives à TAD sont sujettes à modifications sans préavis. Le logo TAD est une marque déposée de Technical Audio Devices Laboratories, Inc.



La protection de votre ouïe est entre vos mains

Pour assurer le rendement optimal de votre matériel et – plus important encore – la protection de votre ouïe, réglez le volume à un niveau raisonnable. Pour ne pas altérer votre sens de la perception, le son doit être clair mais ne produire aucun vacarme et être exempt de toute distorsion. Votre ouïe peut vous jouer des tours. Avec le temps, votre système auditif peut en effet s'adapter à des volumes supérieurs, et ce qui vous semble un « niveau de confort normal » pourrait au contraire être excessif et contribuer à endommager votre ouïe de façon permanente. Le réglage de votre matériel à un volume sécuritaire AVANT que votre ouïe s'adapte vous permettra de mieux vous protéger.

CHOISISSEZ UN VOLUME SÉCURITAIRE:

- Réglez d'abord le volume à un niveau inférieur.
- Montez progressivement le volume jusqu'à un niveau d'écoute confortable ; le son doit être clair et exempt de distorsions.
- Une fois que le son est à un niveau confortable, ne touchez plus au bouton du volume.

N'OUBLIEZ PAS DE RESPECTER LES DIRECTIVES SUIVANTES:

- Lorsque vous montez le volume, assurez-vous de pouvoir quand même entendre ce qui se passe autour de vous.
- Faites très attention ou cessez temporairement l'utilisation dans les situations pouvant s'avérer dangereuses.
- N'utilisez pas des écouteurs ou un casque d'écoute lorsque vous opérez un véhicule motorisé ; une telle utilisation peut créer des dangers sur la route et est illégale à de nombreux endroits.

S001a_A1_Fr

安全上のご注意

- 安全にお使いいただくために、必ずお守りください。
- ご使用前にこの「安全上のご注意」をよくお読みのうえ、正しくお使いください。
- 取扱説明書は保証書と一緒に大切に保管してください。

この取扱説明書および製品には、製品を安全に正しくお使いいただき、あなたや他の人々への危害や財産への損害を未然に防止するために、いろいろな絵表示をしています。その表示と意味は次のようになっています。
内容をよく理解してから本文をお読みください。



警告

この表示を無視して、誤った取り扱いをすると、人が死亡または重傷を負う可能性が想定される内容を示しています。



注意

この表示を無視して、誤った取り扱いをすると、人が軽傷を負う可能性が想定される内容および物的損害の発生が想定される内容を示しています。

絵表示の例



△ 記号は注意（警告を含む）しなければならない内容であることを示しています。



⊘ 記号は禁止（やってはいけないこと）を示しています。



Ⓛ 記号は行動を強制したり指示したりする内容を示しています。



警告



ぐらついた台の上や傾いたところなど、不安定な場所に置かない
落ちたり、倒れたりしてけがの原因となります。



天井から吊り下げたり、壁に掛けたりしない
落ちてけがの原因となります。



小さな部品をお子様の手の届くところに置かない
万一飲み込んだ場合は、ただちに医師と相談してください。



注意



本機の上に乗ったり、ぶら下がったり、よりかかったりしない
倒れたり、壊れたりしてけがの原因になることがあります。



音が歪んだ状態で長時間使用しない
スピーカーが発熱し、故障や火災の原因になることがあります。



本機の上に重いものや、大きなものを置かない
倒れたり、落下したりしてけがの原因になることがあります。



改造したり、分解したりしない
破損や火災の原因になることがあります。

使用上のご注意



このスピーカーシステムのインピーダンスは 4 Ω です。負荷インピーダンスが 4 Ω 対応のアンプ (スピーカー出力端子に 4 Ω 適合表示があるもの) に接続してお使いください。



スピーカーを過大入力による破損から守るため、下記の注意事項をお守りください。

- 許容入力以上を入力しない。
- 本機を含む AV 機器をアンプに接続するときは、アンプの電源を OFF にする。
- グラフィックイコライザーで高音を増強する場合、音量を上げすぎない。
- 小出力アンプで無理に大きな音を出さない。(アンプの高調波歪が増え、スピーカーを破損することがある)



同軸ユニット (トゥイーター、ミッドレンジ) には強力な磁気回路を用いています。鉄などの磁性体を近づけないでください。振動板を破損する恐れがあります。

組み立て、取り付けの不備、取り付け強度不足、誤使用、改造、天災などによる事故損傷については、当社は一切責任を負いません。

もくじ

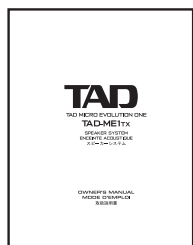
安全上のご注意.....	2
付属品の確認.....	4
TAD について.....	5
TAD Micro Evolution One の特長.....	5
設置・お手入れ.....	6
設置のしかた.....	6
設置場所を決める.....	7
スピーカーシステムのお手入れ.....	7
スピーカーシステムを接続する.....	8
入力端子仕様.....	8
シングルワイヤリング接続.....	8

バイワイヤリング接続.....	9
システムの調整.....	10
ウーファースのパフォーマンス向上のために.....	10
臨場感向上のために.....	10
最終調整について.....	10
保証とアフターサービス.....	11
仕様.....	12

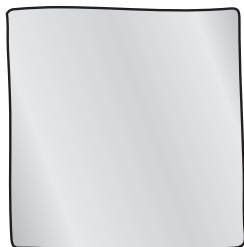
付属品の確認

以下のものが入っていることを確認してください。

- オナーズマニュアル(本書) × 1

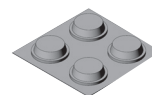


- クリーニングクロス × 1



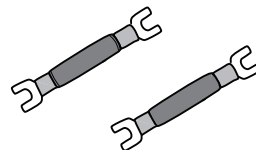
- 保証書(日本国内用)

- 滑り止めパッド × 4

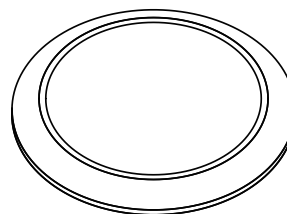


本体付属部品

- 短絡コード × 2 (本体に取り付けられています。)



- ウーファーグリル × 1



所有する喜びと誇り、聴く喜びと感動のために

「TAD」という名称は“Technical Audio Devices”の頭文字から命名されました。

これは、1975年にパイオニア（株）において最高級スピーカー開発プロジェクトの発足時、技術顧問として参画し、当時 USA プロオーディオ界の第1人者であった故バート・ロカンシーの「基本に忠実な技術こそ本物の技術であり、技術志向に傾くことなく、常に音質を最重視する技術こそ本物の技術である」という理念に基づき、“綿密な理論検討と正確な実験に裏付けられた工学的アプローチ”の手法を表現したものです。

自らのスピーカー理論を実践するための新境地を見出したバート・ロカンシーと、その思想と哲学を受け継ぐエンジニアたちの、決して妥協を許さぬ技術への探究心が、「TAD」という存在そのもののなのです。

この「TAD」の意思を受け継ぎ、TECHNICAL AUDIO DEVICES LABORATORIES, INC. は設立されました。

私たちは、当社の持つ最高の技術で皆様へ聴く喜びと感動を提供していきたいと考えています。

TAD Micro Evolution One の特長

TAD-ME1 は TAD が長年培ってきた音響技術と最新テクノロジーを駆使し、感動の音を目指し創りあげたスピーカーシステムです。

1. 同軸スピーカーユニット「CST^{*1} ドライバー」を搭載

本機は、位相の一致したポイントから、広帯域にわたって指向性をコントロールして再生する同軸スピーカーユニット「CST ドライバー」を搭載しており、安定した定位と自然な音場空間を再現します。ミッドレンジのコーン形状は、同軸配置したトゥイーターの指向特性をコントロールするように設計され、トゥイーターとミッドレンジのクロスオーバーにおける位相特性と指向特性とを一致させることで、全帯域で自然な減衰特性と指向放射パターンの両立を実現し、CST ドライバーのみで 420 Hz ~ 60 kHz という超広帯域再生が可能です。回折の少ない形状のエンクロージャーに搭載することで、CST ドライバーの性能を余すことなく引き出します。

2. トゥイーターにベリリウム、ミッドレンジにはマグネシウム振動板を採用

トゥイーターの振動板に、軽量で剛性に優れたベリリウムを採用しています。独自に開発した蒸着法を用い、内部損失を大きくすることにより、優れた高域共振の減衰特性を実現しています。さらに HSDOM^{*2} を採用したセミドーム形状とすることにより滑らかな超高域特性を実現しています。ミッドレンジには、マグネシウム振動板を採用することで、材料固有の共振音の影響を排除し、歪みの少ない音を再生します。

3. ウーファーに MACC^{*3} 振動板を採用

ウーファーに、軽量かつ剛性の高いアラミド繊維の織布と不織布を貼り合わせた複合素材の新開発の MACC 振動板を採用することで、豊かな低音再生とクリアな中低域再生を実現しています。

4. キャビネットの不要共振を低減する SILENT^{*4} エンクロージャーを採用

高剛性の樺（バーチ）合板を骨組みに使用し、高内部損失の MDF 材と組み合わせることで、高い強度と低い共振を実現する SILENT エンクロージャーを採用しています。さらに、高い密度と強度に優れる 5 mm 厚の構造用鋼板で左右からサンドイッチすることでキャビネットの不要共振を低減しています。

5. 「Bi-Directional ADS^{*5} ポート」を採用

バスレフ動作のためのポートをエンクロージャーサイドに設置。開口部をホーン形状のスリットとし前後左右に設けることで、ブックシェルフでありながら自然で豊かな低域を再生します。ポートからの不要音やエンクロージャー内の内部定在波の影響を排除することにより、レスポンスの良いクリアな低音を再生します。

*1 CST: Coherent Source Transducer

*2 HSDOM: Harmonized Synthetic Diaphragm Optimum Method

*3 MACC: Multi-layered Aramid Composite Cone

*4 SILENT: Structurally Inert Laminated Enclosure Technology

*5 Bi-Directional ADS: Bi-Directional Aero-Dynamic Slot

設置・お手入れ



設置環境についてのご注意

多湿・過乾燥、そして急激な温度変化がある環境は避けてください。

木材や塗装の収縮によるエンクロージャーの変形、変色およびスピーカーが故障する原因になります。

以下のような場所には設置しないでください。

- ・ 直射日光のあたる場所
- ・ 暖房器具に近い場所
- ・ エアコンの真下または送風が直接あたる場所
- ・ 風通しが悪く、湿気やホコリの多い場所

人が不快に感じる環境は、スピーカーにとっても同じです。

快適な環境でご使用していただくことにより、本来の性能を十分に発揮できます。

ご使用場所の環境は以下を目安に、冷暖房装置および加湿器や除湿機などの使用をお勧めします。

温度：15℃～25℃

湿度：35%～65%（冬期）/ 40%～70%（夏期）



設置に際してのご注意

- ・ 本製品の総質量は21kgです。設置場所がこの質量に十分耐えられることをご確認ください。
- ・ 設置の際は、スピーカーシステムに指を挟まれたり、スピーカーシステムが倒れたりしないようご注意ください。
- ・ スピーカーユニット前面に手をかけないでください。メッシュや振動板の変形や破損の恐れがあります。

設置のしかた

床やラックに設置する

本機に付属の滑り止めパッドを4か所スピーカー底面に貼り付けて設置してください。

別売りのスピーカースタンドを使用して設置する

このスピーカーシステムはブックシェルフ型のため、床に直接置くと床面からの音の反射が大きくなり低音部が強調されて聴きづらくなることがあります。この場合は、置台を使用して床面から離してください。一般的には、高音用のスピーカー（トゥイーター）とリスナーの耳の高さが同じになるように設定すると良い結果が得られます。なお、落下防止のため、必ずスピーカーシステムをネジで固定してください。置台には弊社スピーカースタンド「TAD-ST3TX」をお勧めします。（詳しくはTAD-ST3TXの取扱説明書をご覧ください）。

●専用スタンドTAD-ST3TX（別売り）のご紹介

TAD Micro Evolution Oneの性能を最大限に引き出すために、専用スタンドTAD-ST3TX（別売り）を本体と同時に開発しました。高い制振性、重心位置の安定化など、最適化を図っています。TAD-ST3TXを使用の場合、滑り止めパッドを使用せず、そのまま設置してください。

ウーファーグリルの着脱

本機は磁石で吸着するウーファーグリルを付属しております。

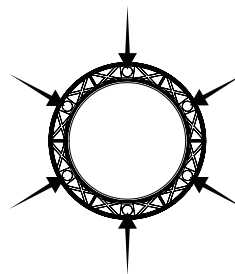
磁石は下図のように6ヶ所に埋め込まれています。

取り付け方：磁石位置が下図のようになるように取り付けてください。

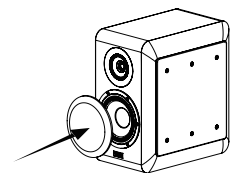
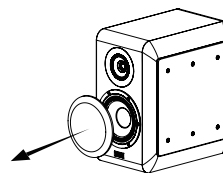
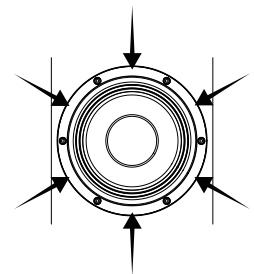
取り外し方：下図のように手前にグリルを引いて取り外してください。

尚、このスピーカーシステムをご使用の際やお手入れ時は、ウーファーグリルを外してください。また取り付けた状態で鉛直方向に力を加えるとグリルが落下する恐れがあります。

グリル側



エンクロージャー側



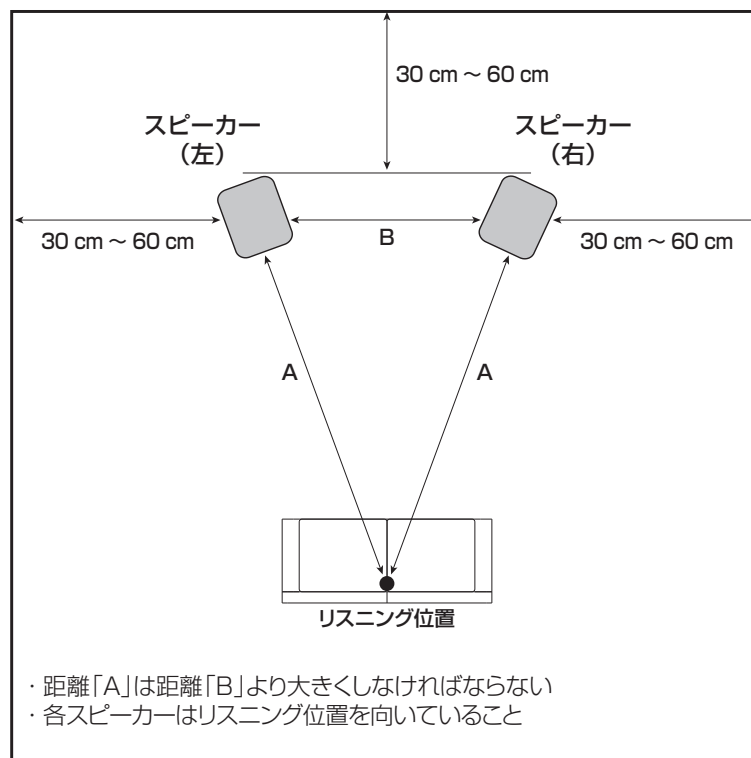
設置場所を決める

リスニングルームでのスピーカーシステムの設置状態は、低音の再生能力、音の正確性、臨場感の面で本機の総合パフォーマンスに大きく影響します。部屋の環境によって設置のしかたが異なりますので、このセクションはガイドのみを目的としています。実際に部屋で設置を試してみることで、最適な結果が得られます。

はじめに、第1図のように、スピーカーシステムをリスニングルームの壁面から30 cm ~ 60 cm程度、両側の壁から30 cm ~ 60 cmの場所に置きます。リスニング位置は、2つのスピーカーシステムからほぼ等距離が良いでしょう。また、スピーカーシステムを内側に向けて各軸がリスニング位置を向くようにします。

次に、8ページの「スピーカーシステムを接続する」で述べるようにオーディオシステムを接続します。

さらに、10ページの「システムの調整」で述べるようにスピーカーシステムの設置を最適化します。



第1図：2チャンネルセッティング例

スピーカーシステムのお手入れ

本機は塗装仕上げとなっております。エンクロージャーにホコリや指紋がついたときは、付属のクリーニングクロスで拭き取ってください。

⚠ 注意

- ・ エンクロージャーのお手入れには、クリーナーや研磨剤、化学ぞうきんを使用しないでください。
- ・ アルコール、ベンジン、殺虫剤などが付着すると、塗装がはがれる場合があります。

スピーカーシステムを接続する

⚠ 注意

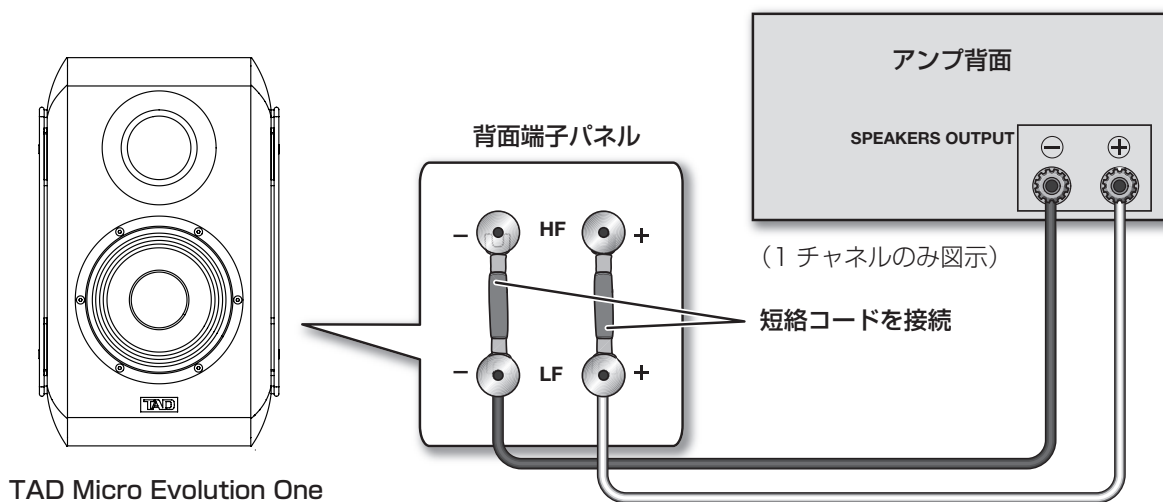
- 機器の接続や変更を行う場合は、必ずアンプや他の機器の電源を切り、電源コードをコンセントから抜いてください。
- 接続するにあたって、本機にはスピーカーコードは付属しておりません。スピーカーコードは市販のものをご使用ください。
- 端子に接続したあとコードを軽く引いて、コードの先端が端子へ確実に接続されていることを確かめてください。不完全な接続は、音がとぎれたり、雑音が出たりする原因となります。
- コードの芯線がはみ出して、芯線どうしが触れたりするとアンプに過大な負荷が加わって動作が停止したり、故障することがあります。
- アンプに接続したときに、片方（右または左）のスピーカーシステムの極性（+、-）を間違っつないだ場合、正常なステレオ効果が得られなくなります。

入力端子仕様

本機は独立した、ウーファー用入力端子 [LF (Low-Frequency) 入力端子] と CST 用入力端子 [HF (High-Frequency) 入力端子] を備えております。

シングルワイヤリング接続

シングルワイヤリング接続をするには、短絡コードで LF 入力端子（ウーファー用）と HF 入力端子（CST 用）を結合します。第 2 図のように、短絡コードを使用して上下の HF 入力端子と LF 入力端子を短絡させ、アンプからの（+）線をいずれかの赤の接続端子に、アンプからの（-）線をいずれかの黒の接続端子に接続します。



第 2 図：シングルワイヤリング接続

バイワイヤリング接続

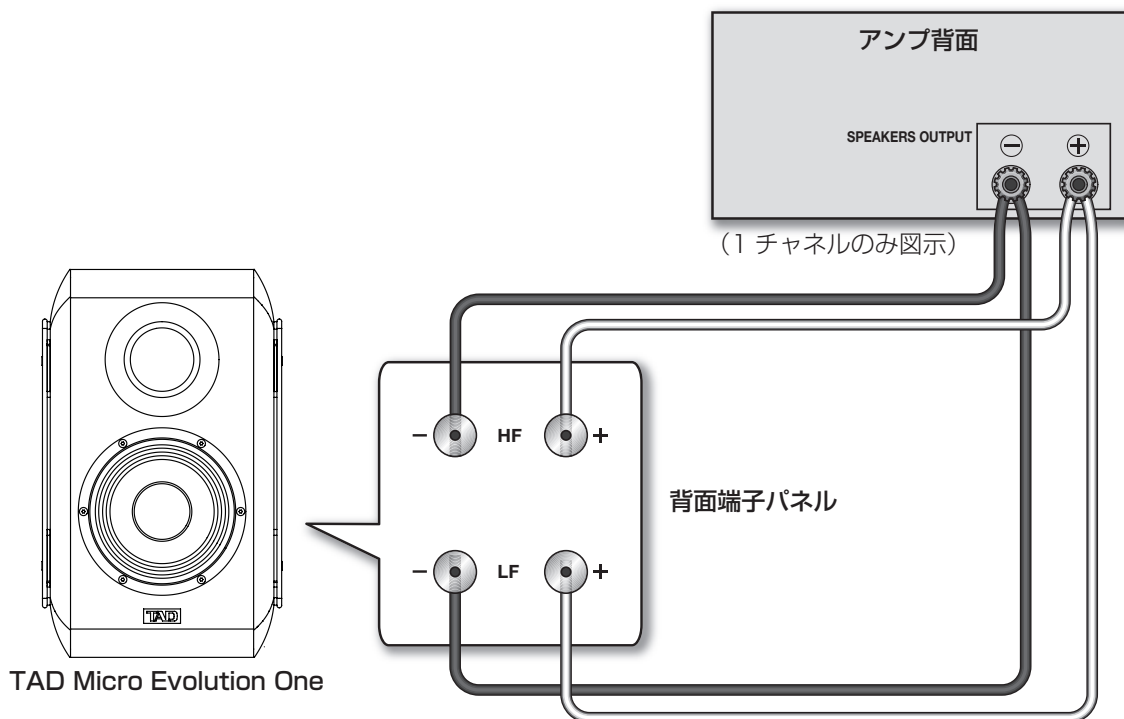
バイワイヤリング接続では、アンプからのスピーカーケーブルを個別に LF 入力端子（ウーファー用）と HF 入力端子（CST 用）に接続します。

1 組のスピーカーケーブルを、LF 入力端子（ウーファー用）に接続します。そして、もう 1 組のスピーカーケーブルを、HF 入力端子（CST 用）に接続します。次に、それぞれのスピーカーケーブルをともにアンプのスピーカー端子に接続します。

第 3 図のように、必ずそれぞれのケーブルの（+）側をアンプの（+）端子に、（-）側をアンプの（-）端子に接続してください。

⚠ 注意

バイワイヤリング接続をする場合は、スピーカーケーブルを接続する前に短絡コードを取り外してください。



第 3 図：バイワイヤリング接続

システムの調整

ウーファースのパフォーマンス向上のために

アコースティック弦楽器のベースのような低音がよく録音されている音楽を選びます。すべてのベースの音階がほぼ同じレベルであるかを聴きます。もし、いずれかの音が他の音より強調されているようなら、音階が最も均質になるまでスピーカーシステムを移動させてみます。

通常は壁に近づけると低音のベース出力が増大しますが、音階の高い方で不均質になることがあります。側壁に近づけたときと背面に近づけたときでは同じ効果にはならないので、両方に動かしてみても最適な音になるようにします。

ドラムの音も聴きます。キックドラムは低周波数のふくらみがなくタイトで速く聞こえるのが良い状態です。スピーカーシステムの位置が数センチ変化するだけでウーファースのパフォーマンスに大きな影響を生じることがありますので、時間をかけて多くの位置で試してください。

作業を早く済ませるための裏技は、人と話しながら室内を動き回ってもらうことです。声が反響なく最も自然に聞こえる位置を聴き分けて、その場所にスピーカーシステムを設置します。

臨場感向上のために

センターイメージの強い音楽を選び、その音像が正確にスピーカーシステムの中央に定位するように、焦点を合わせます。臨場感が不明確で広がってしまうときは、おそらく側壁が強い反射を起こしています。この効果を下げるためには、スピーカーシステムを中央に寄せます。これで近づきすぎるならば、リスニング位置の前方で軸が交差するようにスピーカーシステムの間に移動してみます。CST ドライバーの優れた軸外パフォーマンスにより、側壁反射の強さが低減して臨場感が安定し集中します。

また、きれいに録音されたアコースティック音楽を聴いて、臨場感が広く深いかを確認します。深さが不足しているとしたら、スピーカーが壁に近すぎるからです。その場合は、スピーカーシステムを前に移動してみます。

最終調整について

あるパフォーマンスを調整するためにスピーカーシステムを動かすと、他のパフォーマンスが低下することもあります（たとえば、臨場感の精度を上げると低音の応答性が悪化するなど）。このようなときは、リスニング位置を移動してみます。低音の応答性はスピーカーシステムとリスニング位置の双方に強く影響を受けますが、臨場感はほとんどスピーカーシステムの位置だけで決まります。したがって、臨場感の調整で低音域が低下したら、リスニング位置を変更するとパフォーマンスが戻ります。

部屋の特性もサウンドに大きな影響を与えます。家具が少なく床が硬い「ライブ」な部屋は、サウンドに人工的な広がり感覚を与えますが、緻密さや正確さが低下します。家具が多く、じゅうたんやカーテンなどが多い「デッド」な部屋では、乾燥した生気のないサウンドになり、十分なサウンドレベルまでスピーカーシステムを駆動するためにはかなり多くのパワーを必要とします。つまり、その中間に最適な場所があります。硬質で仕切りのない平行な壁、特に側壁は強いフラッター型エコーを生じ、臨場感に悪影響を与えるので避けてください。カーテン、壁掛け、本棚で長い壁に仕切りを作ってみます。また、臨場感を損なわないよう、部屋のレイアウトがあまり非対称にならないようにします。

保証書（別添）について

保証書は、必ず「お買い上げ店名・お買い上げ日」などの記入を確かめて販売店から受け取り、内容をよく読んで大切に保存してください。

保証期間は購入日から3年間です。

補修用性能部品の最低保有期間

弊社はこの製品の補修用性能部品を製造打ち切り後、8年間保有しています。性能部品とは、その製品の機能を維持するために必要な部品です。

修理に関するご質問、ご相談

お買い求めの販売店へご依頼ください。また、ご転居されたりご贈答品などでお買い求めの販売店に修理のご依頼ができない場合は、修理についてのご相談窓口にご相談ください（15ページ）。

連絡していただきたい内容

- ・ご住所
- ・お名前
- ・お電話番号
- ・製品名：スピーカーシステム
- ・型番
- ・お買い上げ日
- ・故障のまたは異常の内容（できるだけ具体的に）

■ 保証期間中は：

修理に際しては、保証書をご提示ください。保証書に記載されている当社の保証規定に基づき修理いたします。

■ 保証期間が過ぎているときは：

修理すれば使用できる製品については、ご希望により有料で修理いたします。



ステレオ再生のエチケット：

ステレオの音量はあなたの心掛け次第で大きくも小さくもなります。

特に静かな夜間は小さな音でも隣近所へ通りやすいものです。夜間の音楽鑑賞には特に気を配りましょう。

仕様

商品名

TAD Micro Evolution One

型番

TAD-ME1TX

形式

バスレフ式ブックシェルフ型

ドライブユニット

ウーファー：16 cm コーン型

ミッドレンジ/トゥイーター：

同軸 9 cm コーン型 / 2.5 cm セミドーム型

パフォーマンスデータ

再生周波数帯域： 36 Hz ~ 60 kHz

クロスオーバー周波数： 420 Hz、2.5 kHz

最大入力 (JEITA)： 150 W

出力音圧レベル： 85 dB (2.83 V、1 m 自由空間)

インピーダンス： 4 Ω

質量： 21 kg

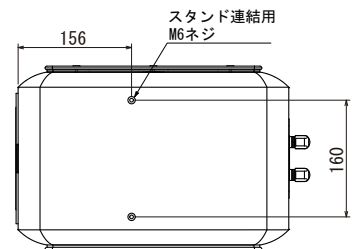
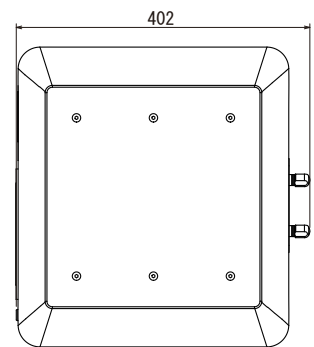
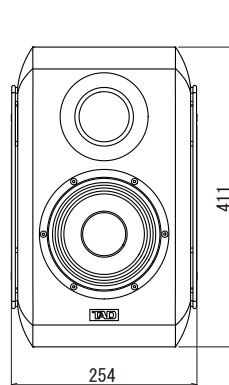
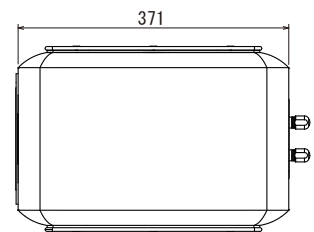
外形寸法：

254 mm (幅) x 411 mm (高さ) x 402 mm (奥行)

付属品

- ・ オナーズマニュアル (本書) × 1
- ・ クリーニングクロス × 1
- ・ 保証書 (日本国内用)
- ・ 滑り止めパッド × 4
- ・ ウーファーグリル × 1
- ・ 短絡コード × 2

本書記載の仕様および構造などの詳細は、改善のため予告なく変更することがあります。



第6図：TAD Micro Evolution One
スピーカーシステムの外形寸法

〈各窓口へお問い合わせ時のご注意〉

「0120」で始まる電話番号は、携帯電話・PHS・一部のIP電話などからはご使用になれません。ナビダイヤルは携帯電話・PHSなどからご利用可能ですが、通話料がかかります。また、一部のIP電話などからはご使用になれません。正確なご相談対応のために折り返しお電話をさせていただくことがございますので発信者番号の通知にご協力いただきますようお願いいたします。

商品についてのご相談窓口

TAD商品の取り付け・組み合わせなどについては、お買い求めの販売店様へお問い合わせください。

- 商品のご購入や取り扱い、故障かどうかのご相談窓口およびカタログのご請求について

パイオニアカスタマーサポートセンター TAD相談窓口

受付時間 月曜～金曜 10:00～12:00、13:00～17:00
(土曜・日曜・祝日・パイオニアカスタマーサポートセンター休業日は除く)

【固定電話からのご利用は】 0120-995-823(無料)

※番号をよくお確かめの上でおかけいただきますようお願いいたします

修理についてのご相談窓口

修理をご依頼される場合は、取扱説明書の「故障かな?と思ったら」を一度ご覧になり、故障かどうかご確認ください。それでも正常に動作しない場合は、①型名②ご購入日③故障症状を具体的に、ご連絡ください。

- お買い求めの販売店に修理の依頼が出来ない場合

パイオニア修理受付窓口

受付時間 月曜～金曜 10:00～12:00、13:00～17:00
(土曜・日曜・祝日・パイオニア修理受付窓口休業日は除く)

【固定電話からのご利用は】 0120-5-81028(無料)

【携帯電話・PHSからのご利用は】 050-3820-7550 (IP電話・有料) または0570-037-610(ナビダイヤル・有料)

【ファックス】 0120-5-81029(無料)

※番号をよくお確かめの上でおかけいただきますようお願いいたします

部品のご購入についてのご相談窓口

- 部品(付属品、取扱説明書など)のご購入について

パイオニア部品受注センター

受付時間 月曜～金曜 10:00～12:00、13:00～17:00
(土曜・日曜・祝日・パイオニア部品受注センター休業日は除く)

【固定電話からのご利用は】 0120-5-81095(無料)

【携帯電話・PHSからのご利用は】 050-3820-7551 (IP電話・有料) または0570-057-140(ナビダイヤル・有料)

【ファックス】 0120-5-81096(無料)

インターネットホームページ

<https://jpn.pioneer/ja/support/purpose/parts/contact/>

※FAXでご注文の際は上記ホームページの付属品購入の流れを参照のうえ、付属品注文票をダウンロードしてご利用ください。

※番号をよくお確かめの上でおかけいただきますようお願いいたします

インターネットホームページ

本書以外に下記ホームページもご覧ください。

<https://tad-labs.com/jp/support/?ref=gnavi>

令和6年11月 現在 記載内容は、予告なく変更させていただくことがありますので予めご了承ください。

TAD

TECHNICAL AUDIO DEVICES LABORATORIES, INC.

© 2024 TECHNICAL AUDIO DEVICES LABORATORIES, INC.
All rights reserved.

© 2024 TECHNICAL AUDIO DEVICES LABORATORIES, INC.
Tous droits de reproduction et de traduction réservés.

© 2024 株式会社 テクニカル オーディオ デバイセズ ラボラトリーズ
禁無断転載

株式会社 テクニカル オーディオ デバイセズ ラボラトリーズ

〒113-0021 東京都文京区本駒込2-28-8 文京グリーンコート

<http://tad-labs.com>

TECHNICAL AUDIO DEVICES LABORATORIES, INC.

Bunkyo Green Court, 2-28-8, Honkomagome, Bunkyo-ku, Tokyo 113-0021, Japan

<http://tad-labs.com>

Audio Squad AB

S. Forstadsgatan 65 C, SE 21420, Malmo, Sweden